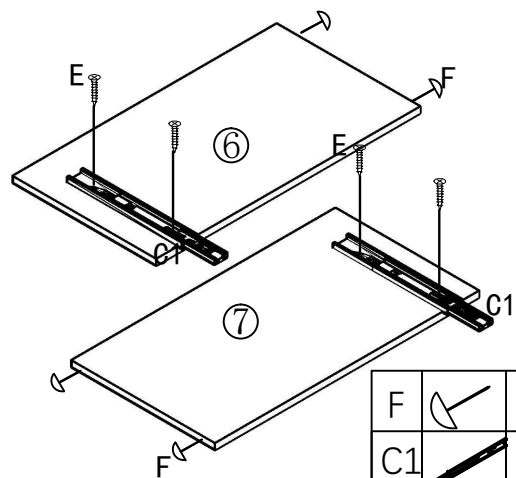
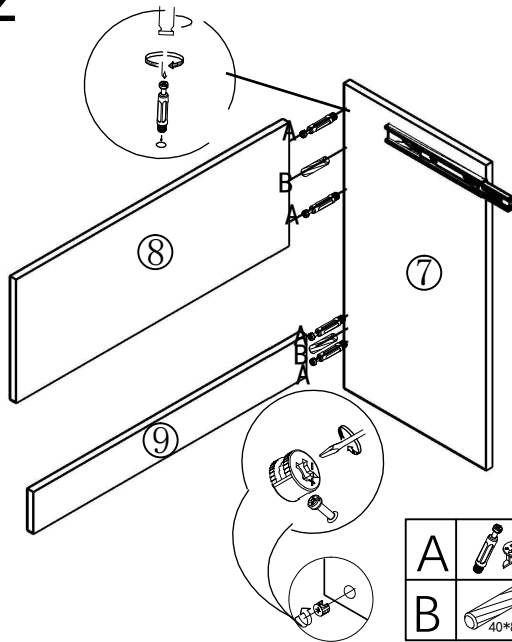


1



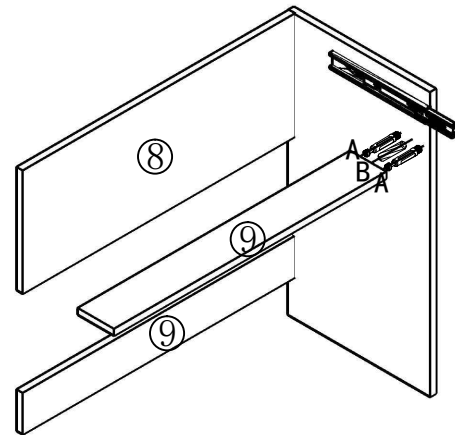
F		4
C1		2
E		4
14*3.5MM		

2



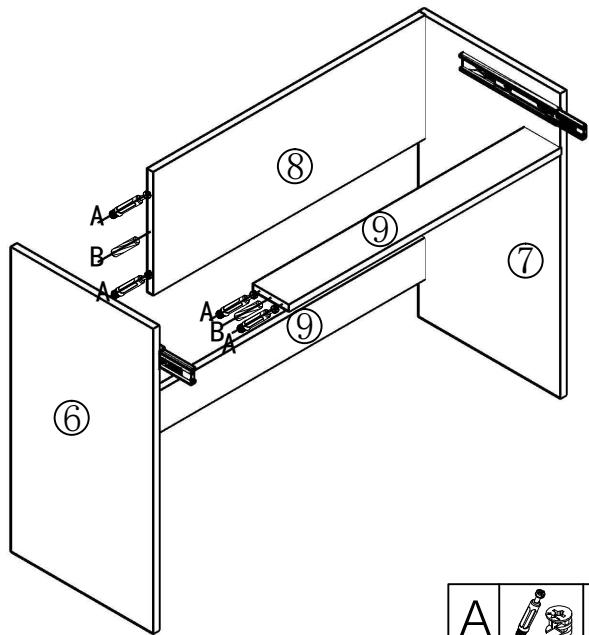
A		4
B		2
40*8MM		

3



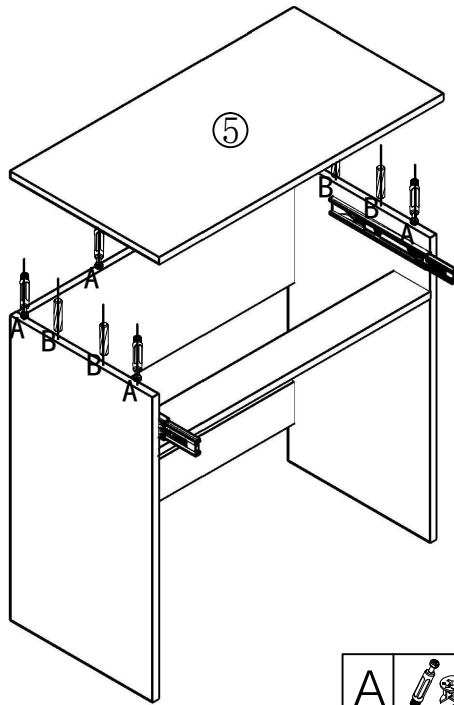
A		2
B		1
40*8MM		

4



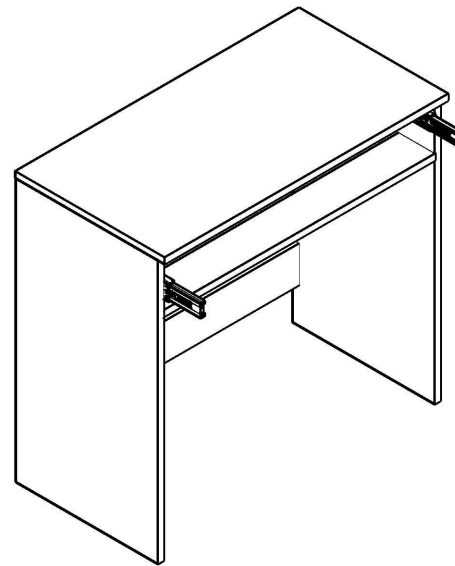
A		6
B		3
40*8MM		

5

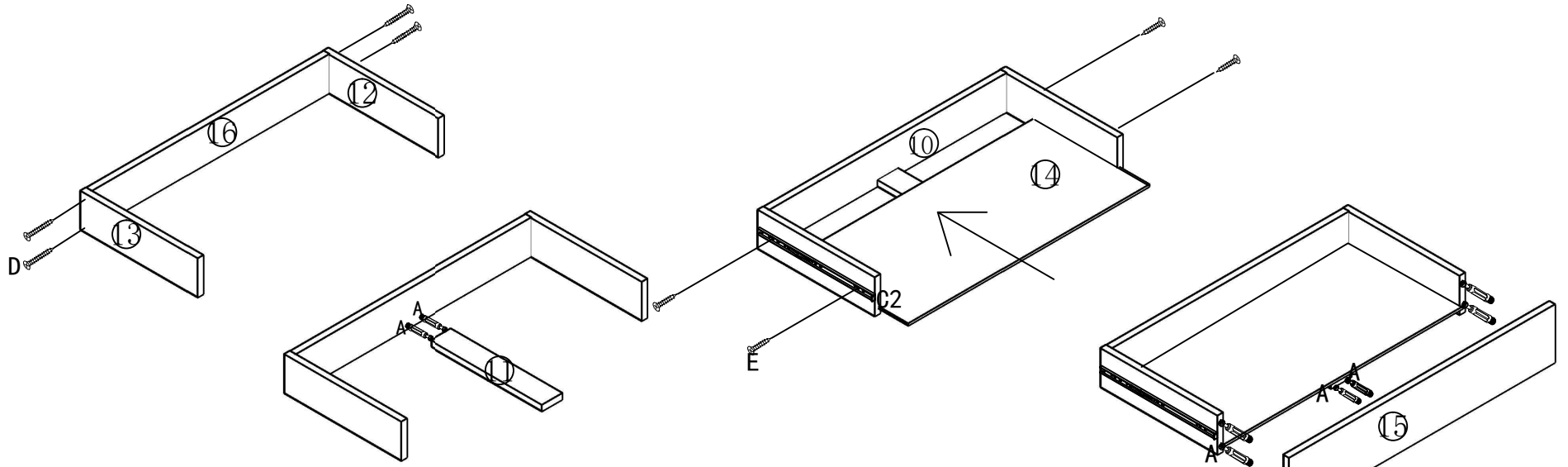


A		6
B		4
40*8MM		

6

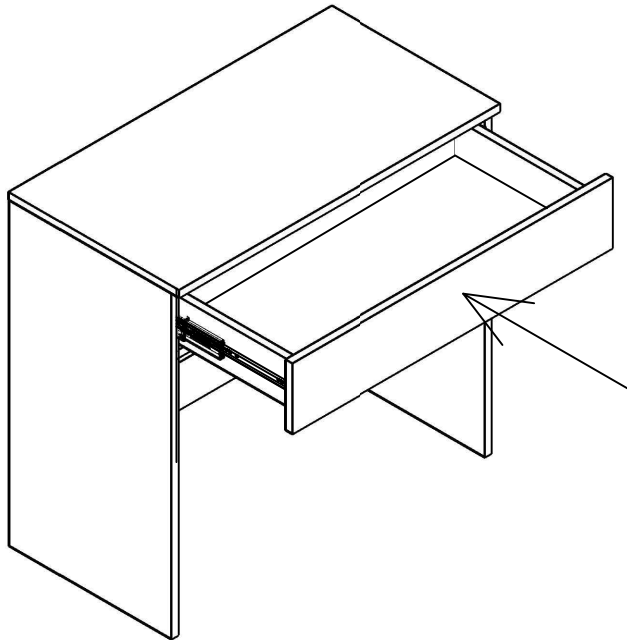


7

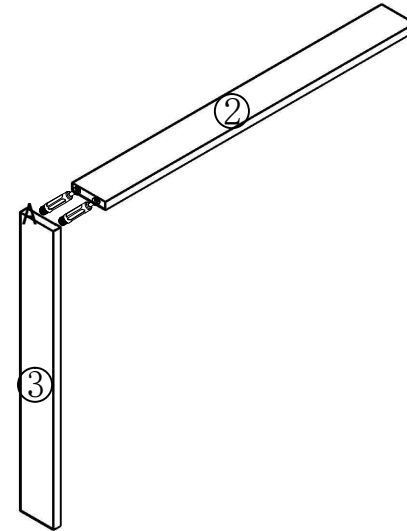


C2		2	A		8
D		4	E		4
	35*3.5MM			14*3.5MM	

8

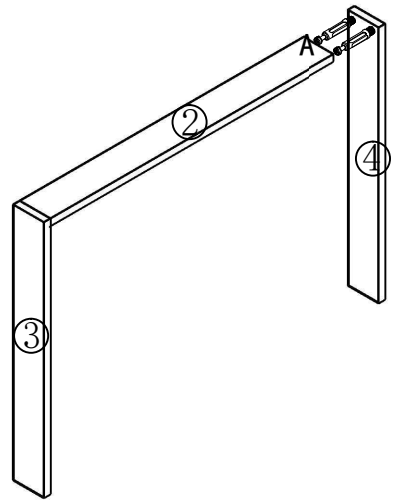


9



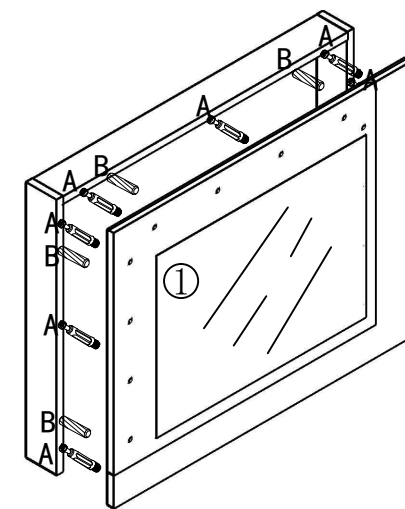
A		2
---	--	---



10



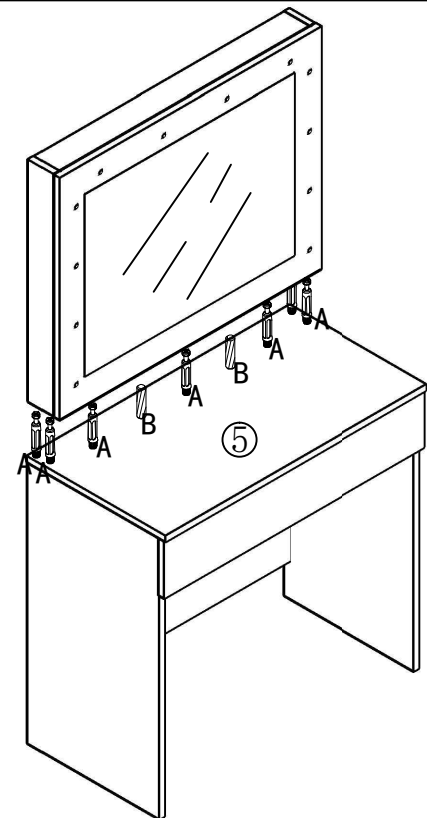
A		2
---	--	---


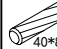
11



A		9
B		6

12



A		7
B		2

13

