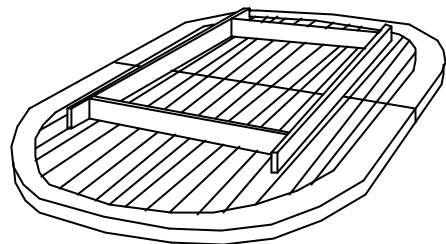
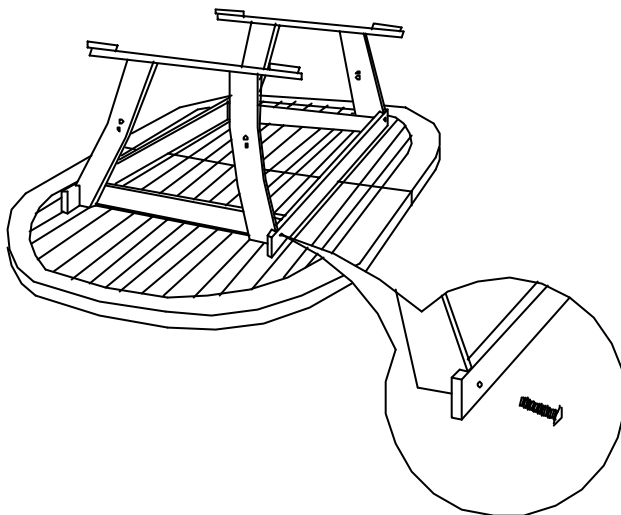


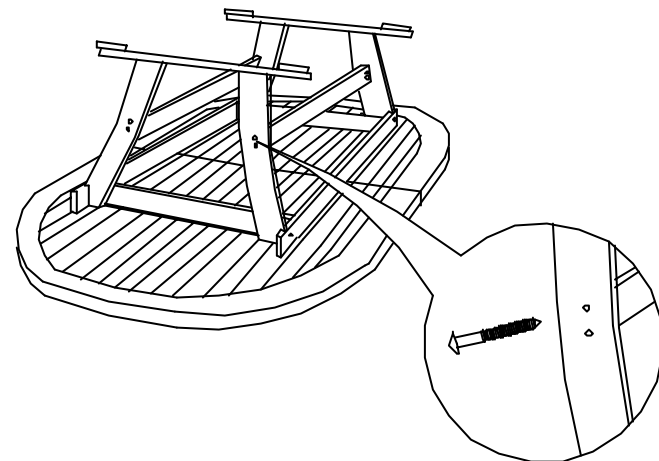
1



2 635 35mm N5
4X 1X



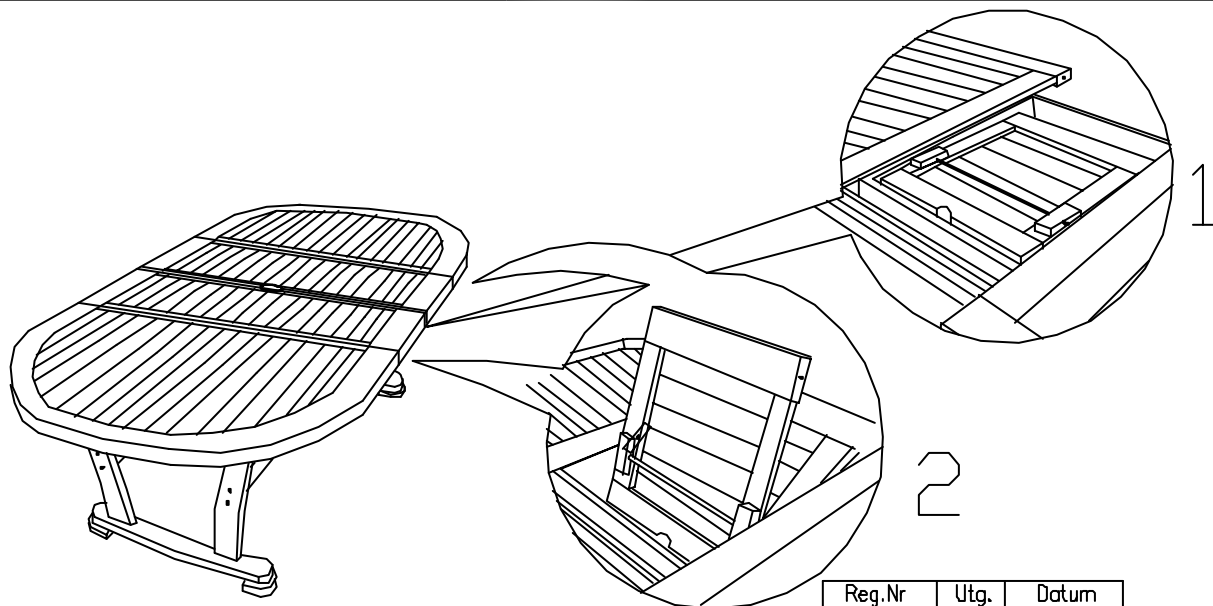
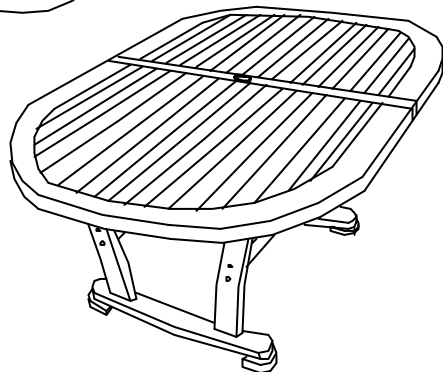
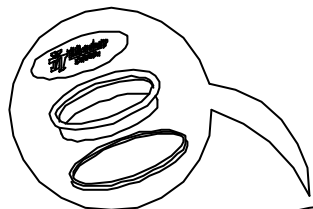
3 KSK770 70mm
8X



MPH1240

1X

BORD 1345



Reg.Nr 1345	Utg. 1	Datum 031016
----------------	-----------	-----------------