

ASSEMBLY INSTRUCTION

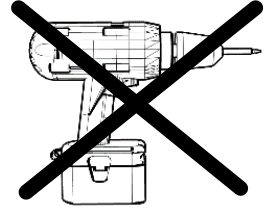
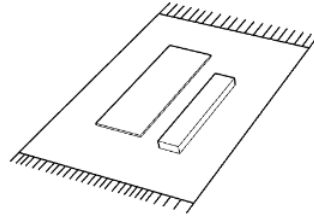
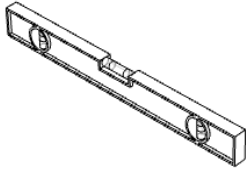
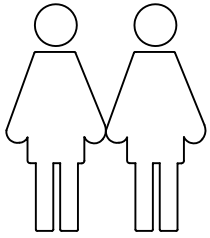
GRAFTON

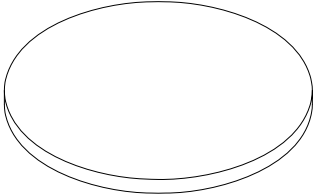
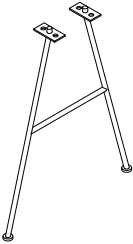
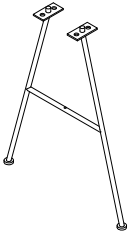
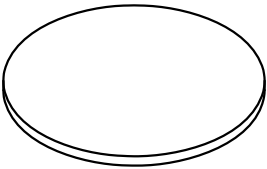

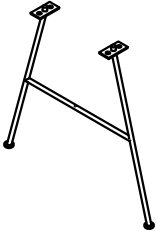
NESTING TABLE Ø50/Ø40

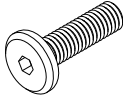


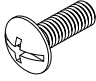



ROWICO

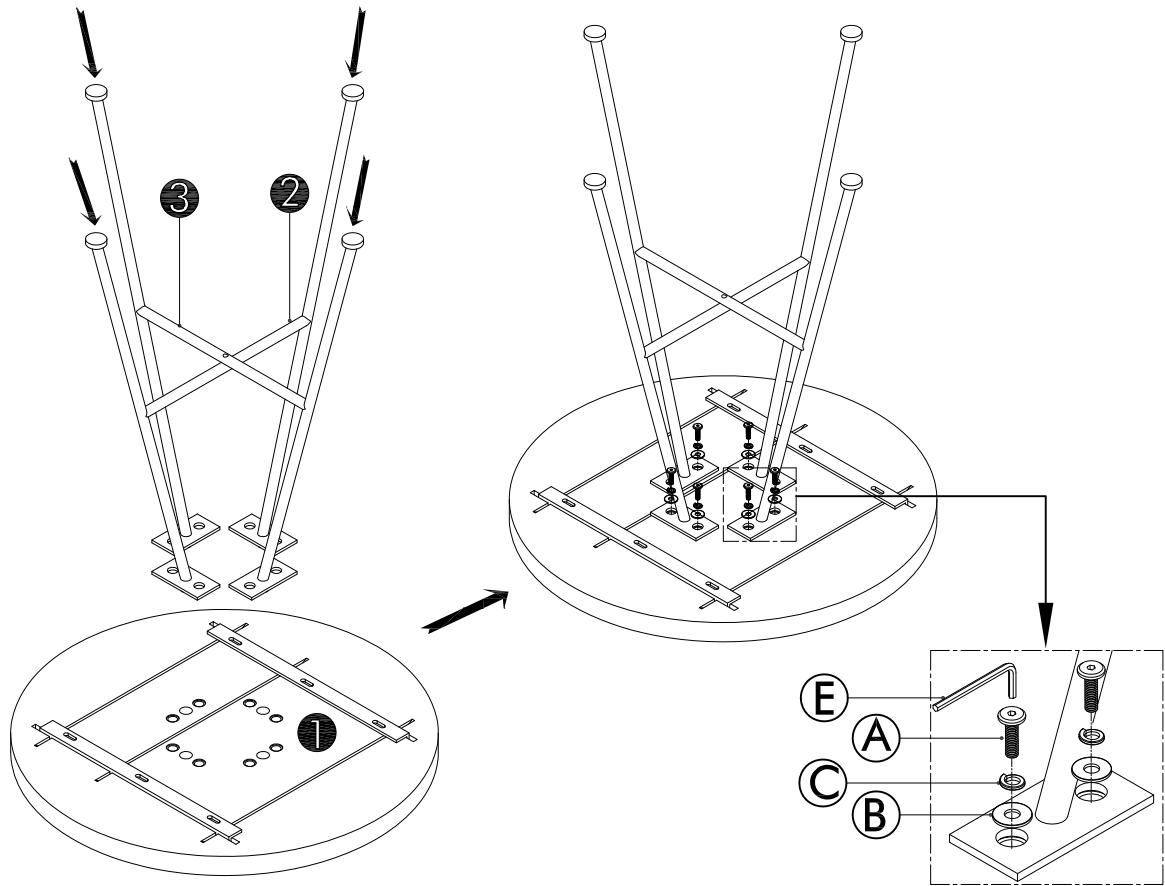
HOME



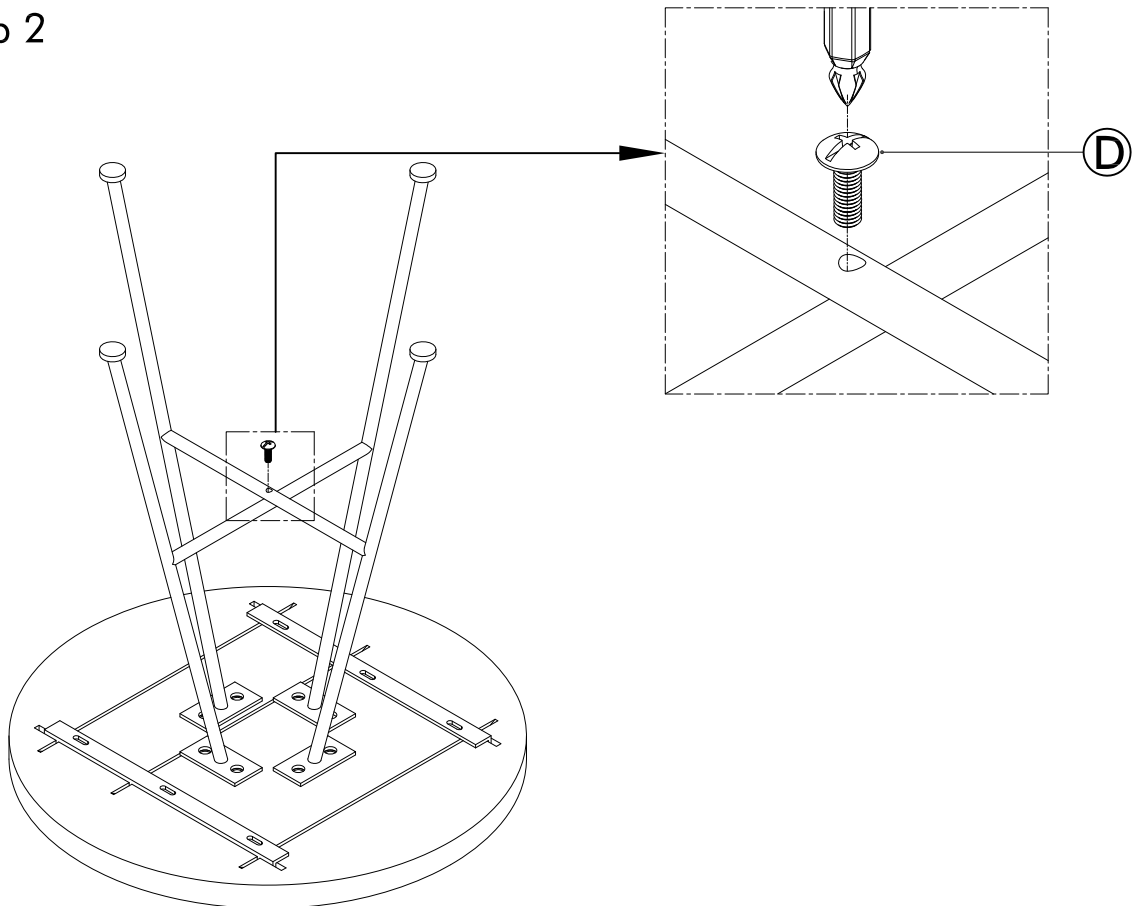
List of part		
	Description	N.o of pcs
1		1
2		1
3		1
4		1
5		1
6		1

List of hardware			
A		Bolt M6x20mm	16
B		Washer Ø6/Ø16	16
C		Spring washer Ø6 mm	16
D		Bolt M4x15mm	2
E		Allen Key Ø4	1

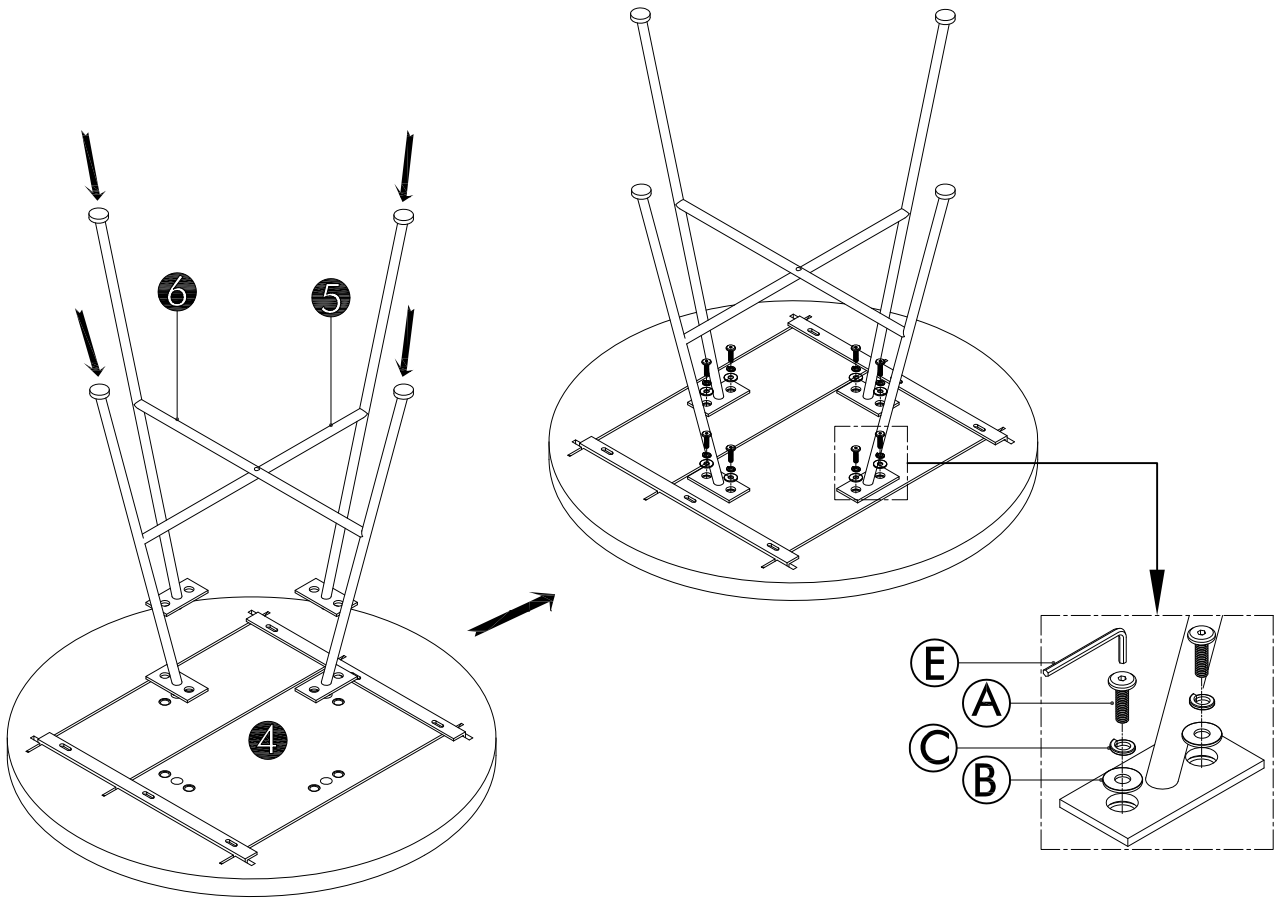
Step 1



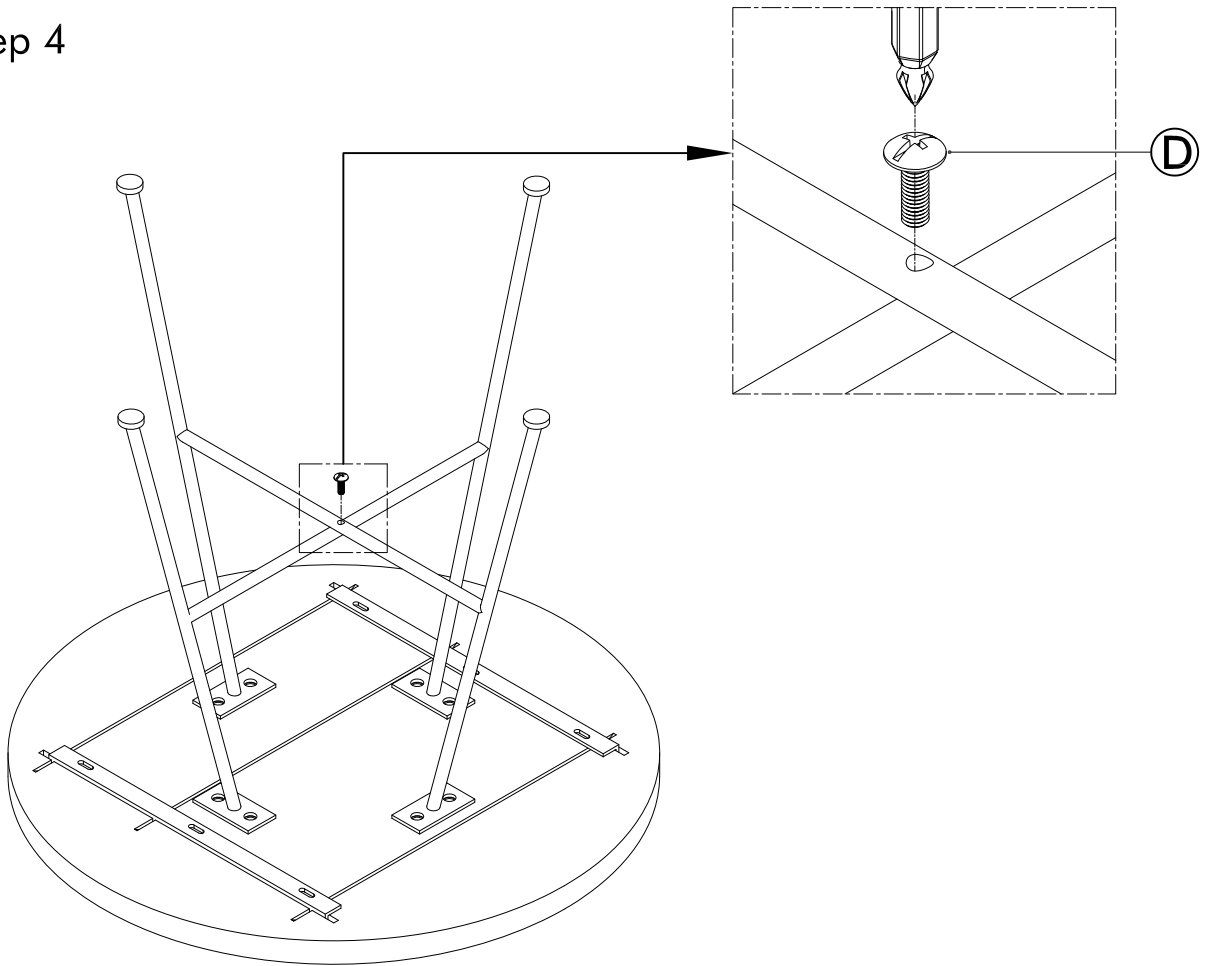
Step 2



Step 3



Step 4



Step 5



Max weight :

