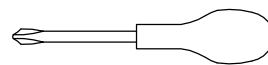
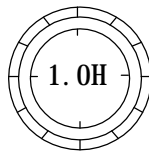
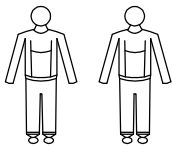
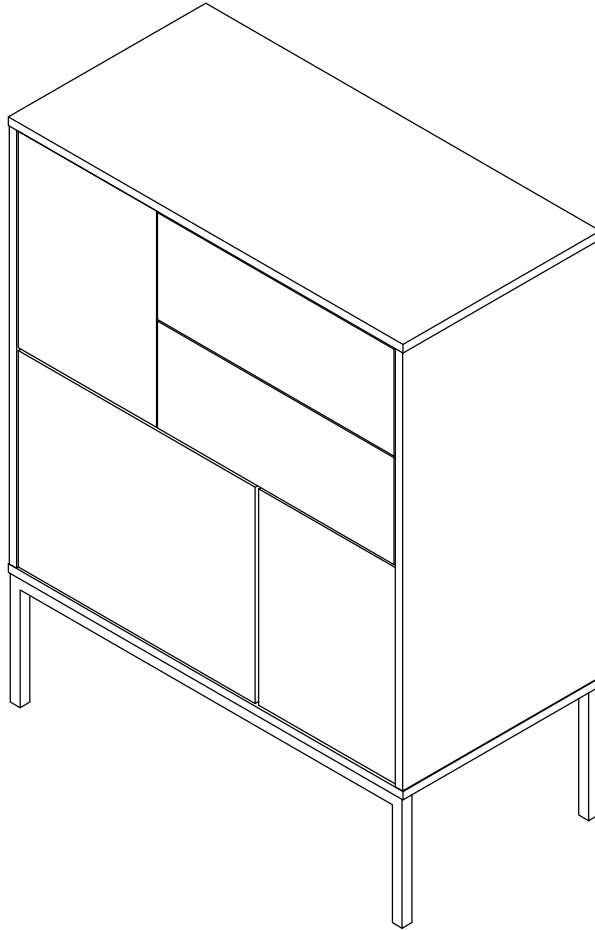
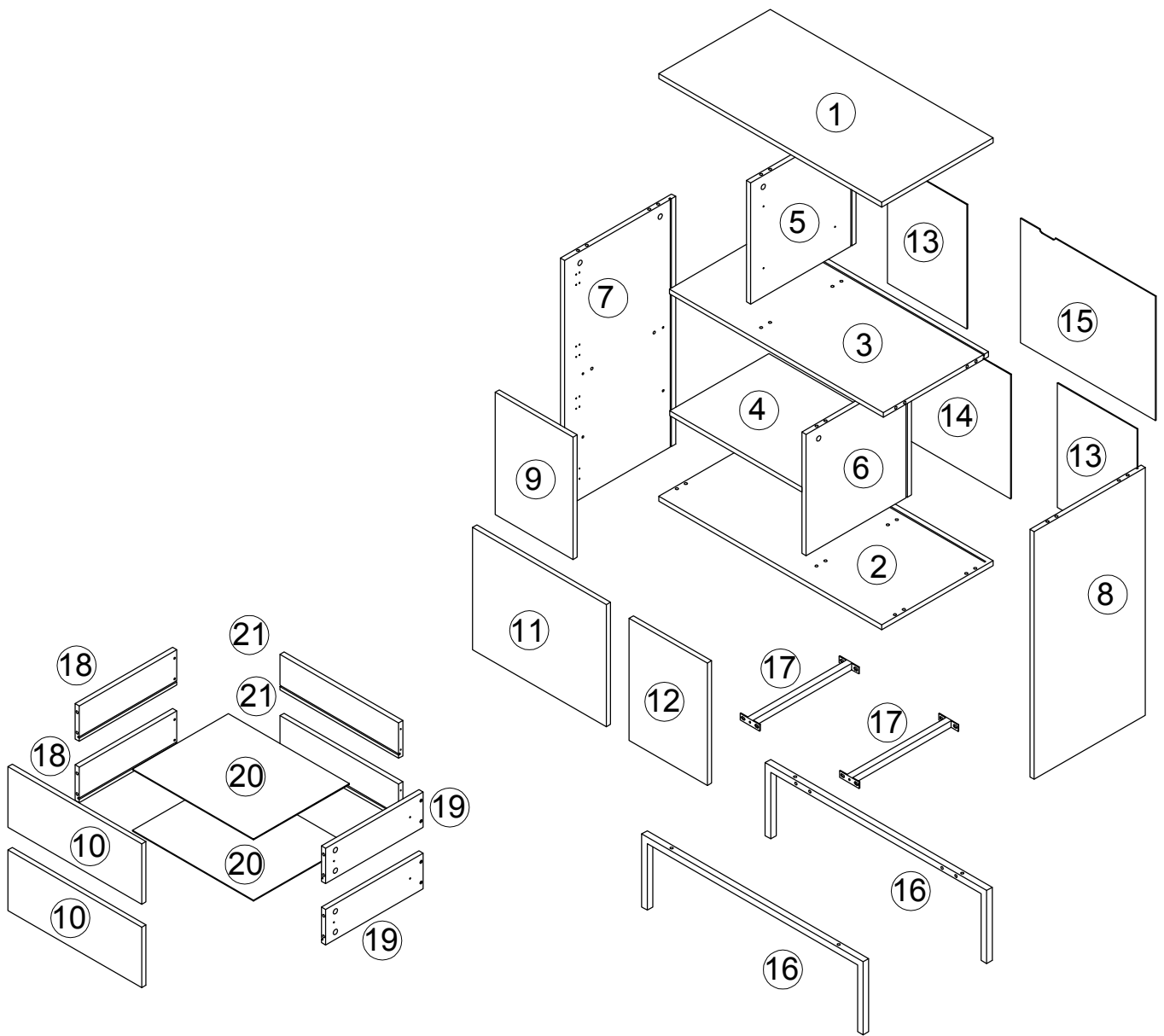










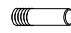
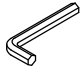


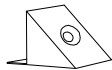





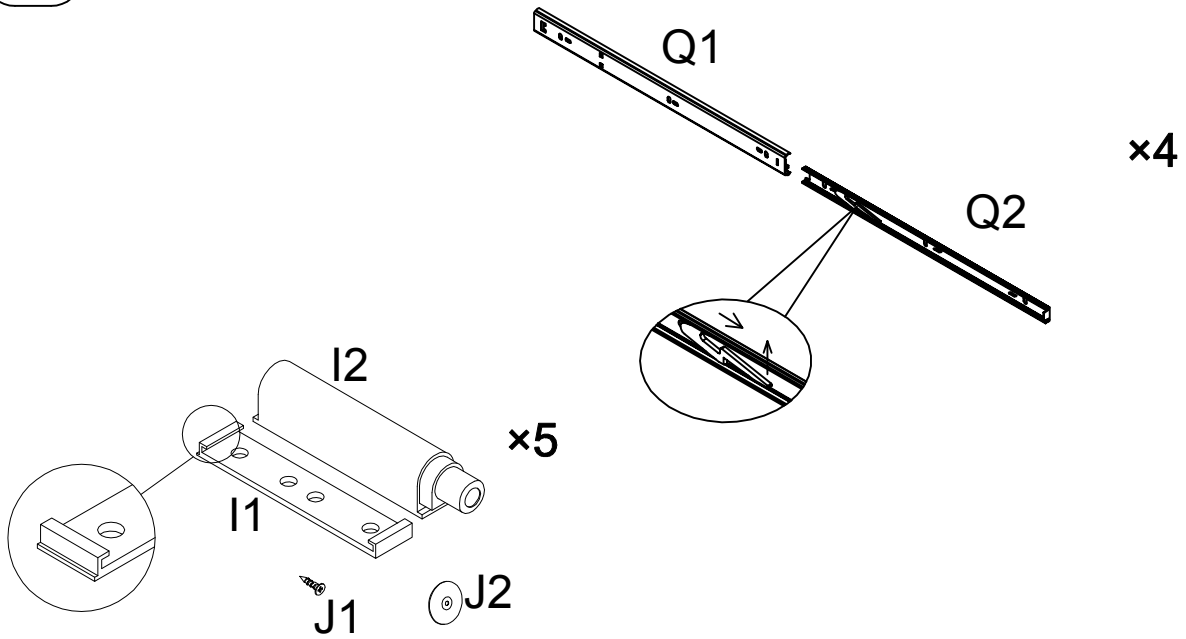
Seaford

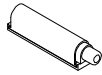
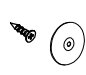





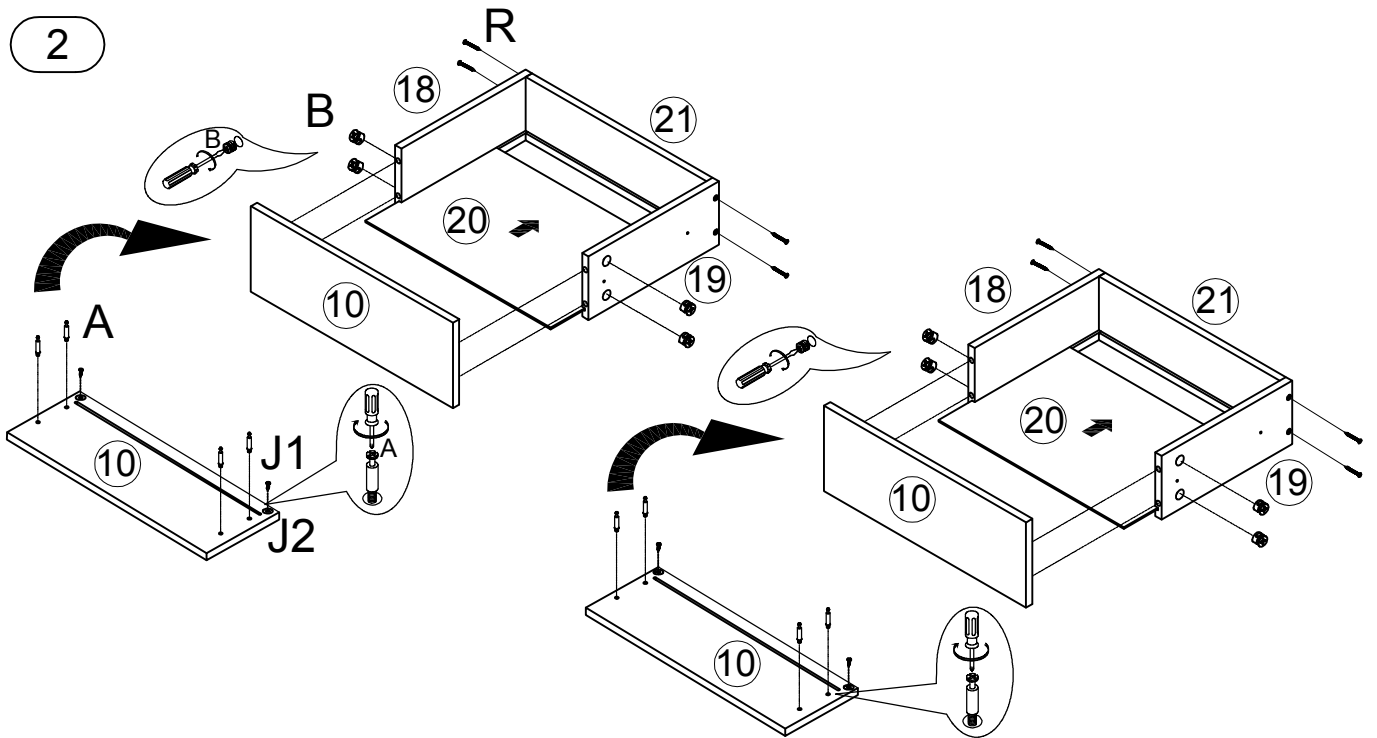
A M6.3×45mm  20PCS	B $\varnothing 15 \times 12 \text{mm}$  20PCS	C $\varnothing 8 \times 30 \text{mm}$  20PCS	D M7×38mm  8PCS	E M6×30mm  4PCS	F FK17  6PCS
G M3.5×14mm  68PCS	H M6×15mm  8PCS	I  7PCS	J  7PCS	K $\varnothing 5 \times 20 \text{mm}$  4PCS	L M4  1PC
M $\varnothing 16$  3PCS	N L=150mm  1PC	O 9×9×14mm  6PCS	P M3.5×16mm  6PCS	Q L=350mm  4PCS	R M4×35mm  8PCS






1



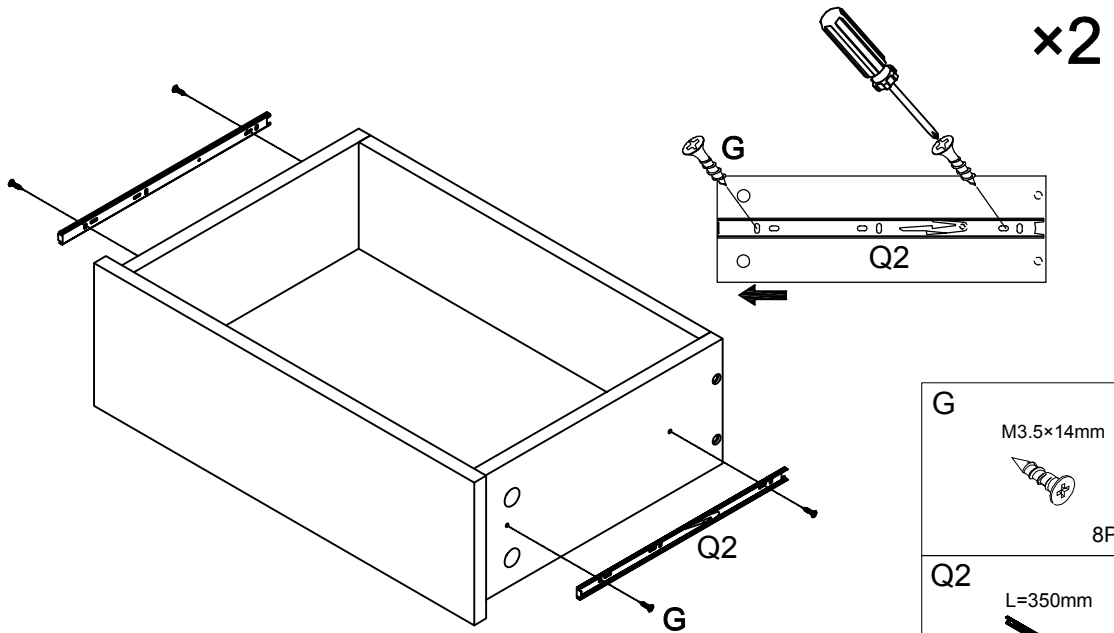
<p>I</p>  <p>5PCS</p>	<p>J</p>  <p>5PCS</p>	<p>Q</p> <p>L=350mm</p>  <p>4PCS</p>
--	--	---



2



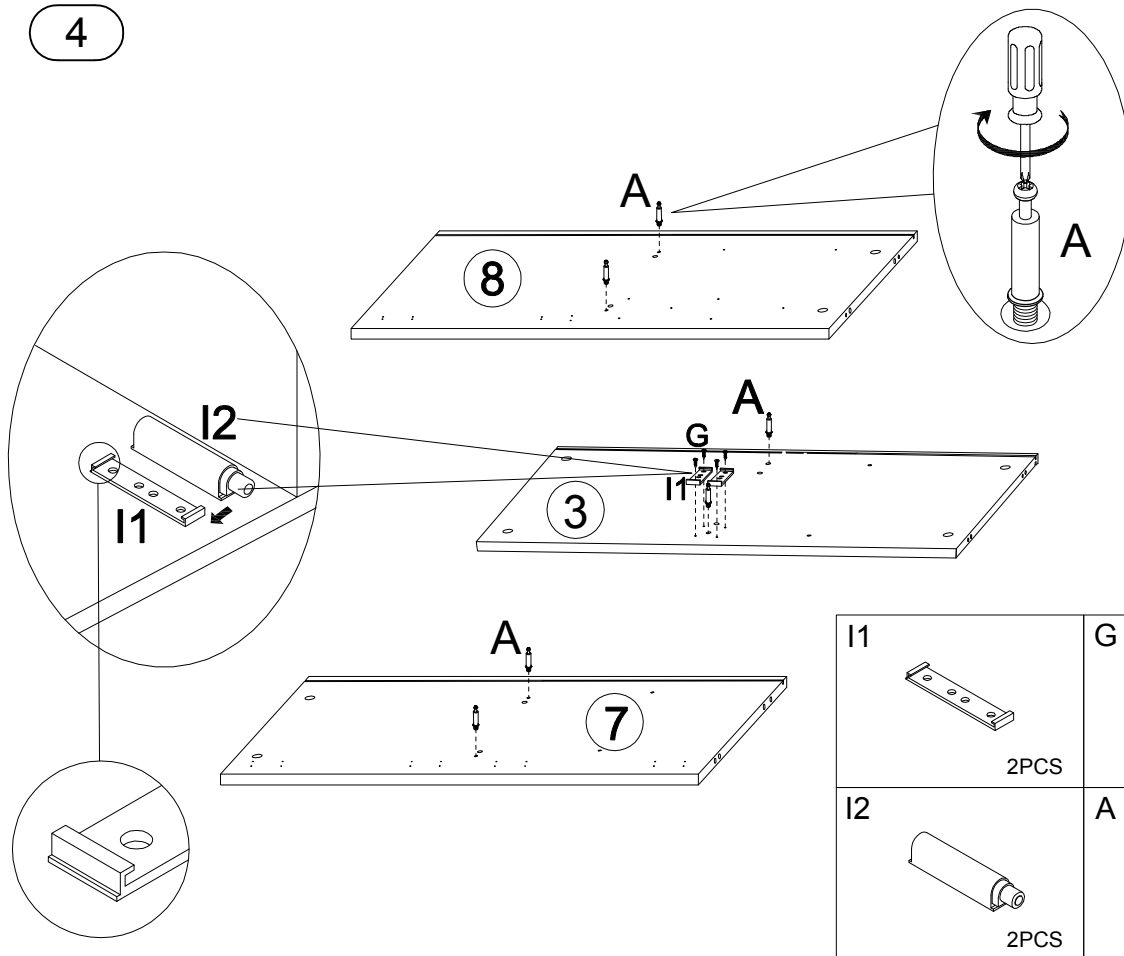
<p>A</p> <p>M6.3×45mm</p>  <p>8PCS</p>	<p>B</p> <p>Ø15×12mm</p>  <p>8PCS</p>	<p>R</p> <p>M4×35mm</p>  <p>8PCS</p>	<p>J1</p>  <p>4PCS</p>	<p>J2</p>  <p>4PCS</p>
---	--	---	---	---

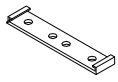

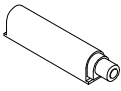

3



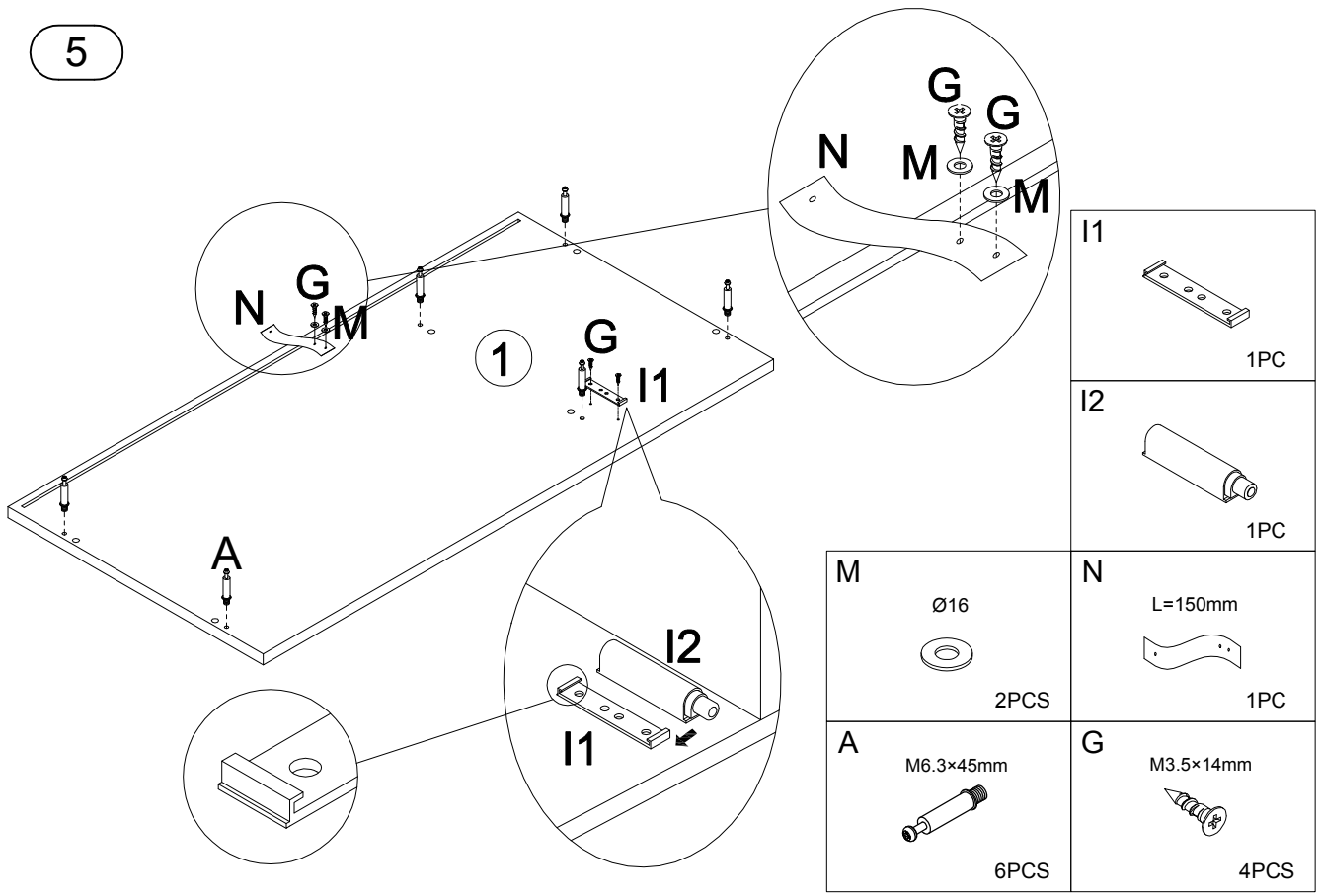
G	M3.5×14mm
	
8PCS	
Q2	L=350mm
	
4PCS	

4

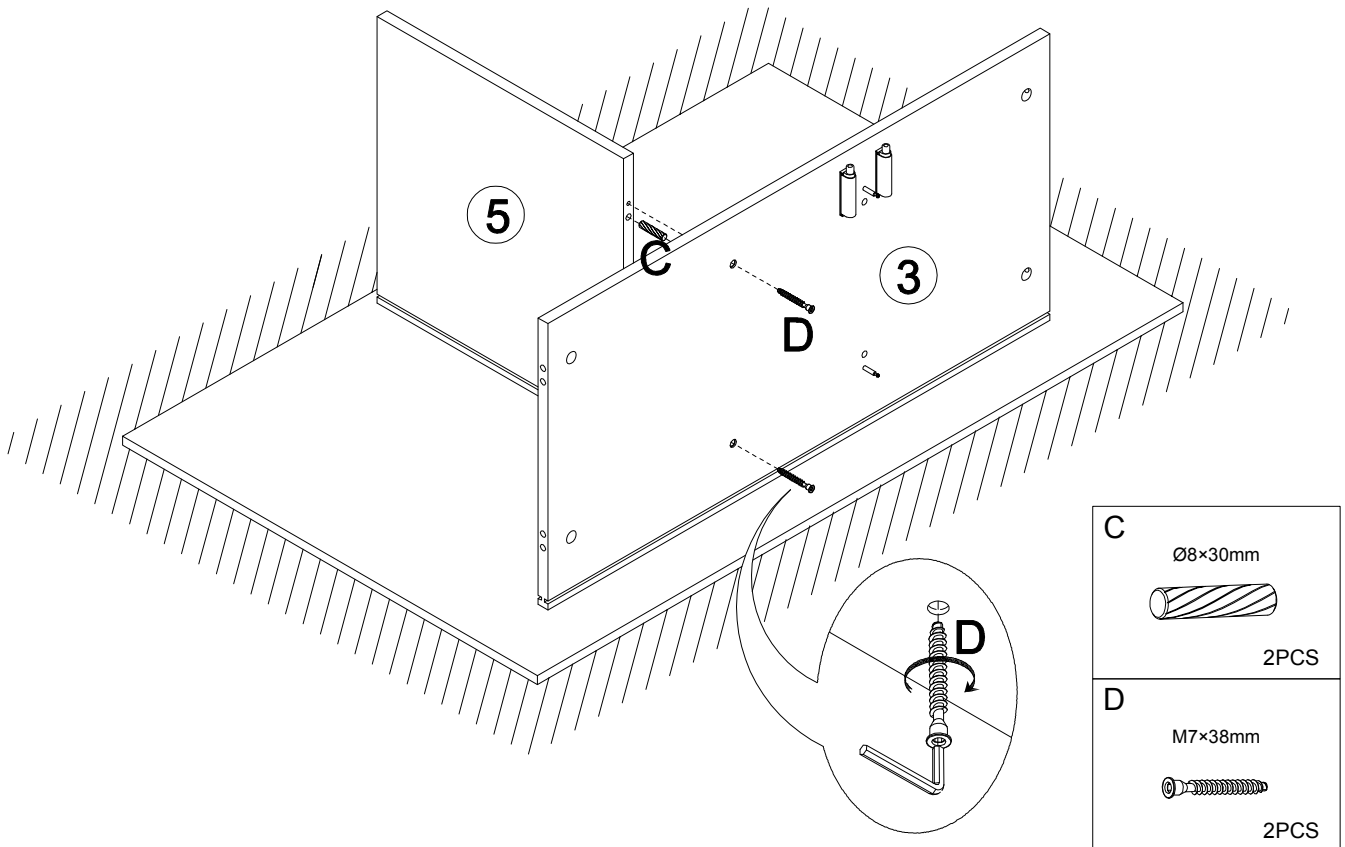


I1		G	M3.5×14mm
2PCS			
		4PCS	
I2		A	M6.3×45mm
2PCS			
		6PCS	

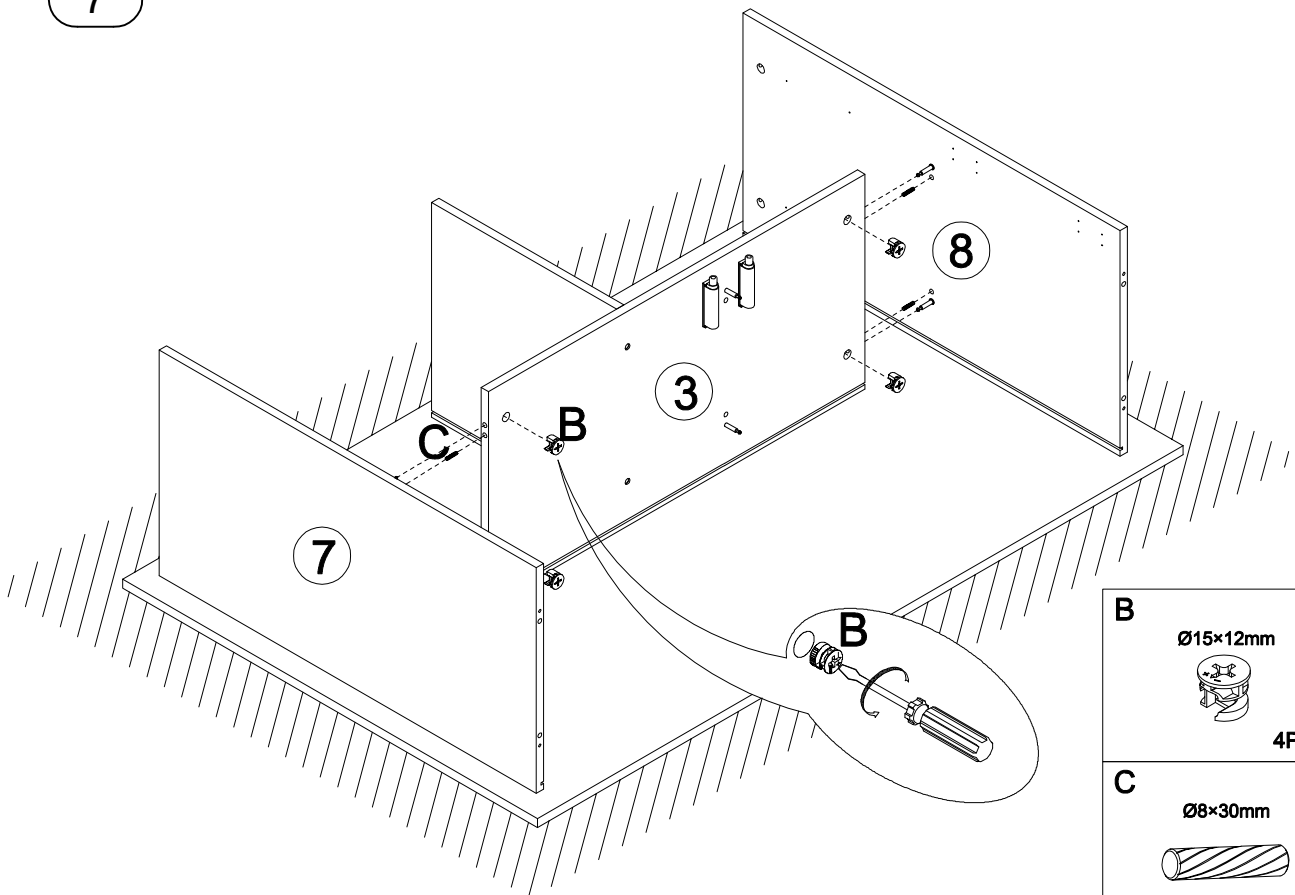
5





6

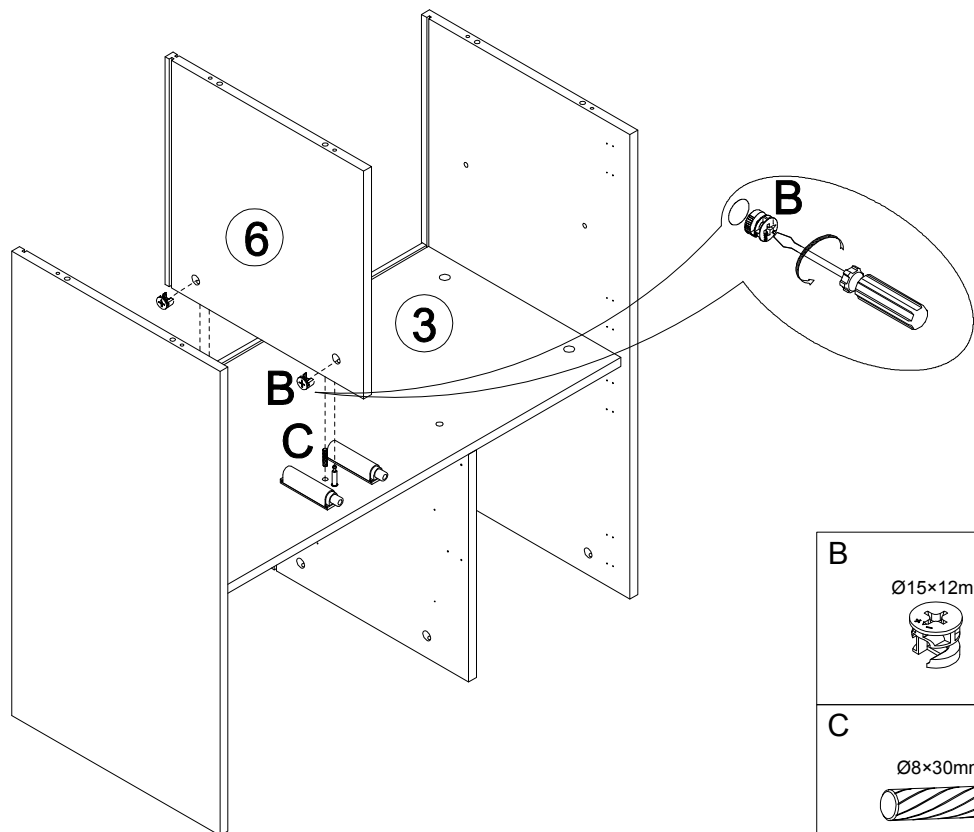




7



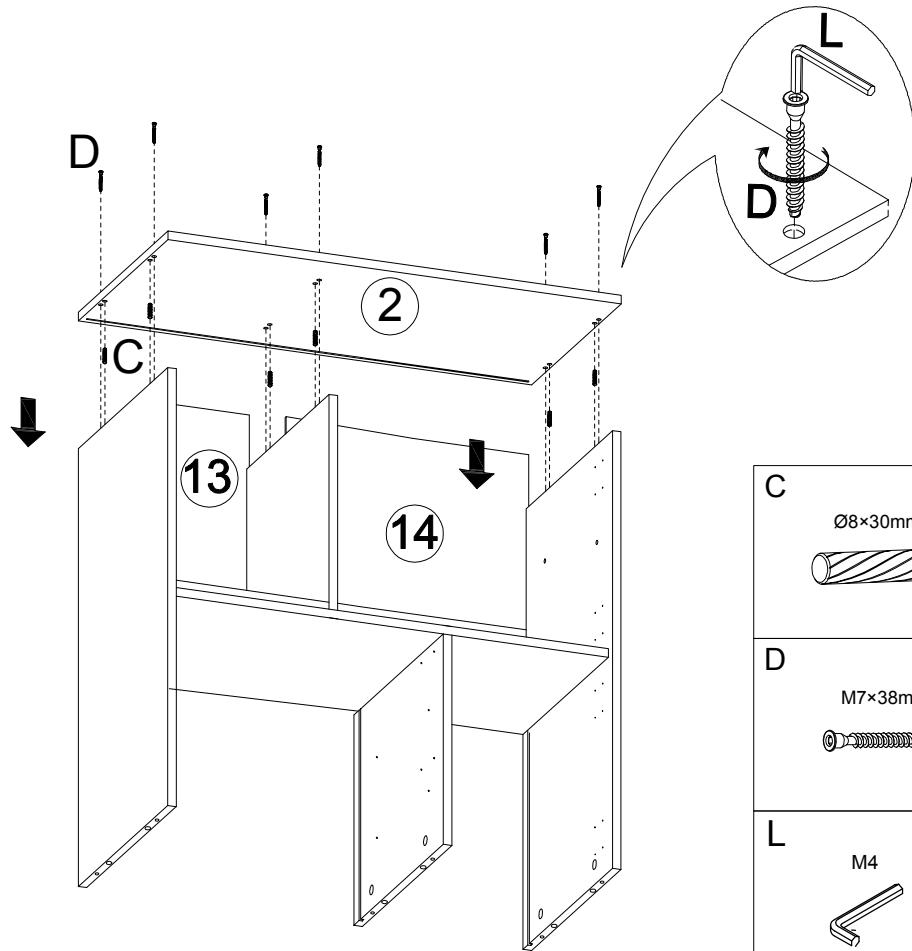
B	Ø15×12mm		4PCS
C	Ø8×30mm		4PCS


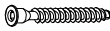

8



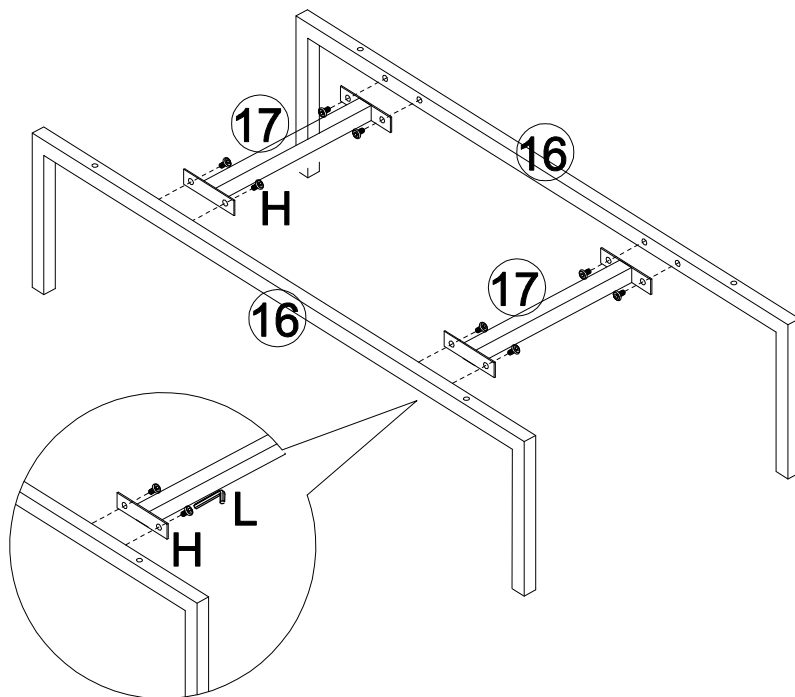
B	Ø15×12mm		2PCS
C	Ø8×30mm		2PCS


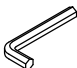
9



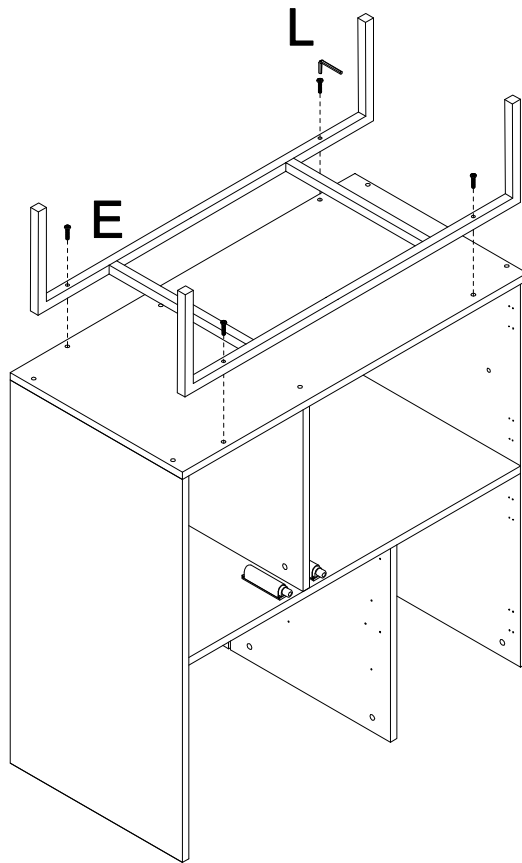
C	Ø8×30mm		6PCS
D	M7×38mm		6PCS
L	M4		1PC


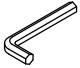
10



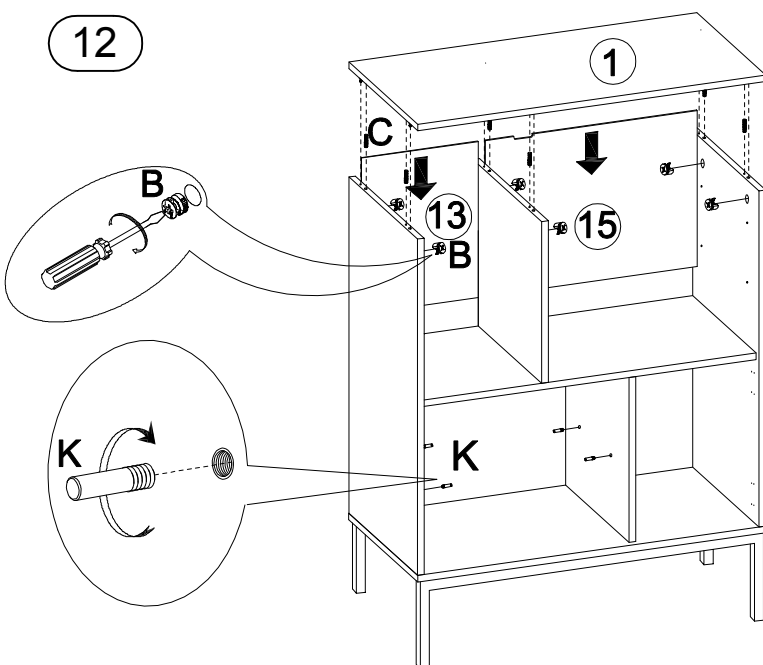
H	M6×15mm		8PCS
L	M4		1PC




11



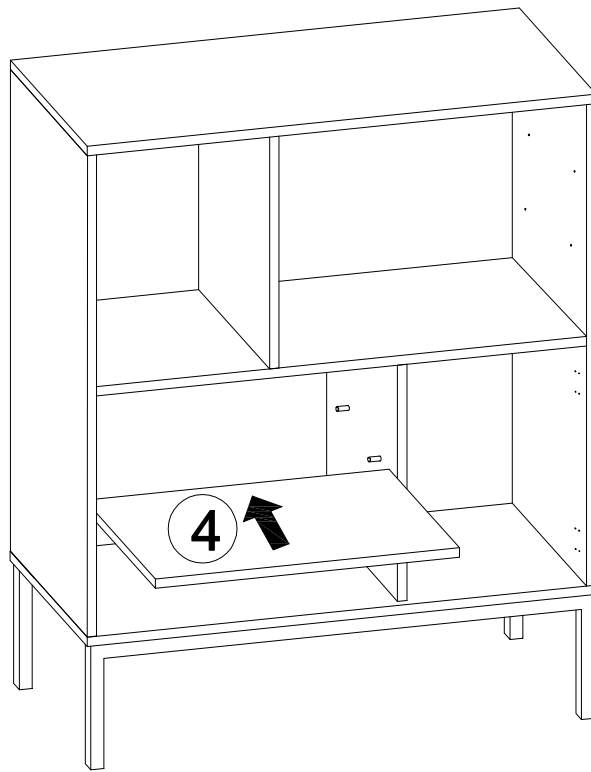
E	M6×30mm		4PCS
L	M4		1PC

12

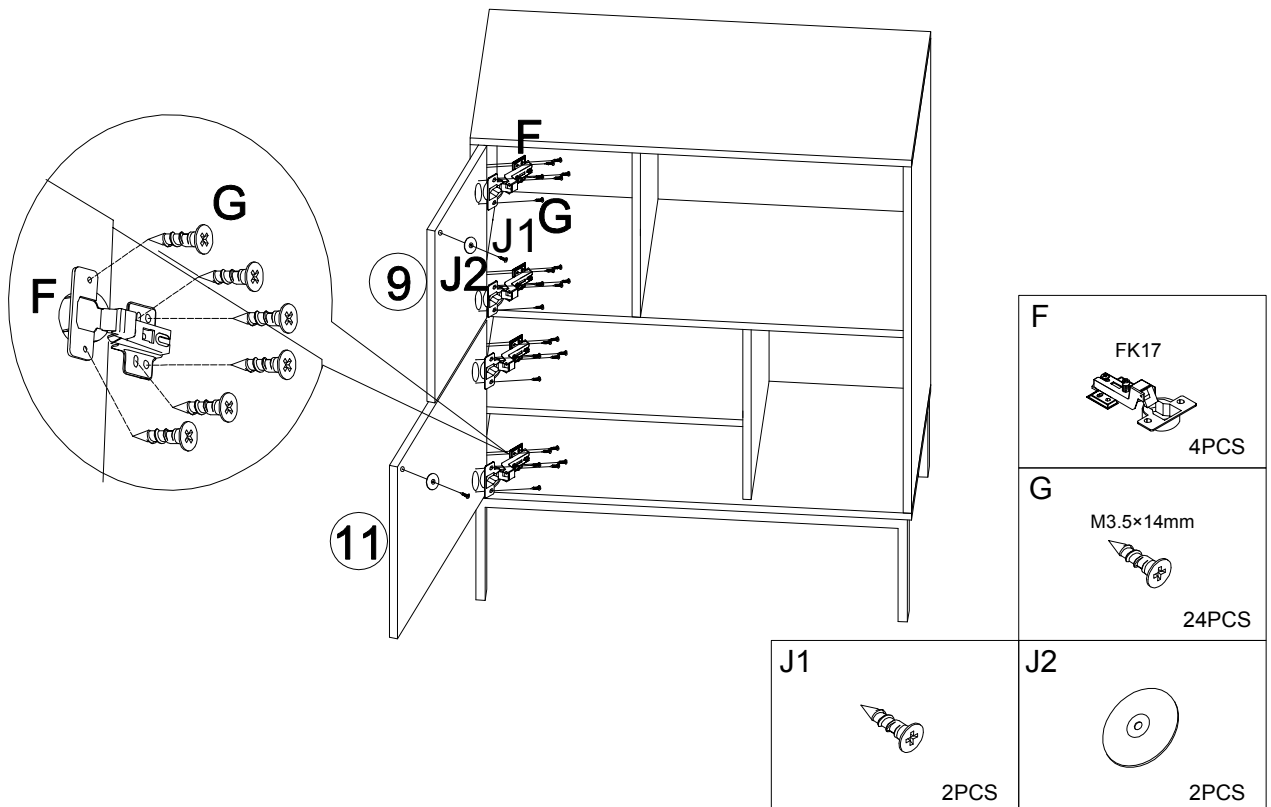


B	Ø15×12mm		6PCS
C	Ø8×30mm		6PCS
K	Ø5×20mm		4PCS

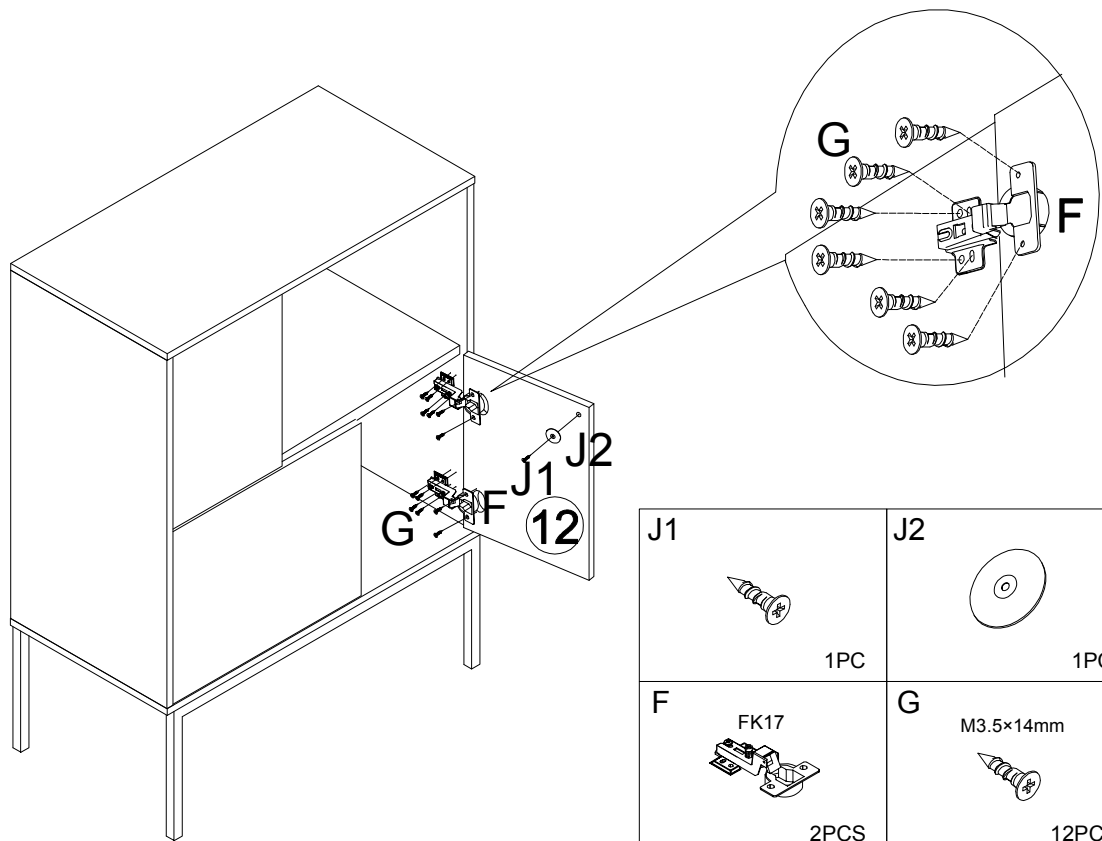
13



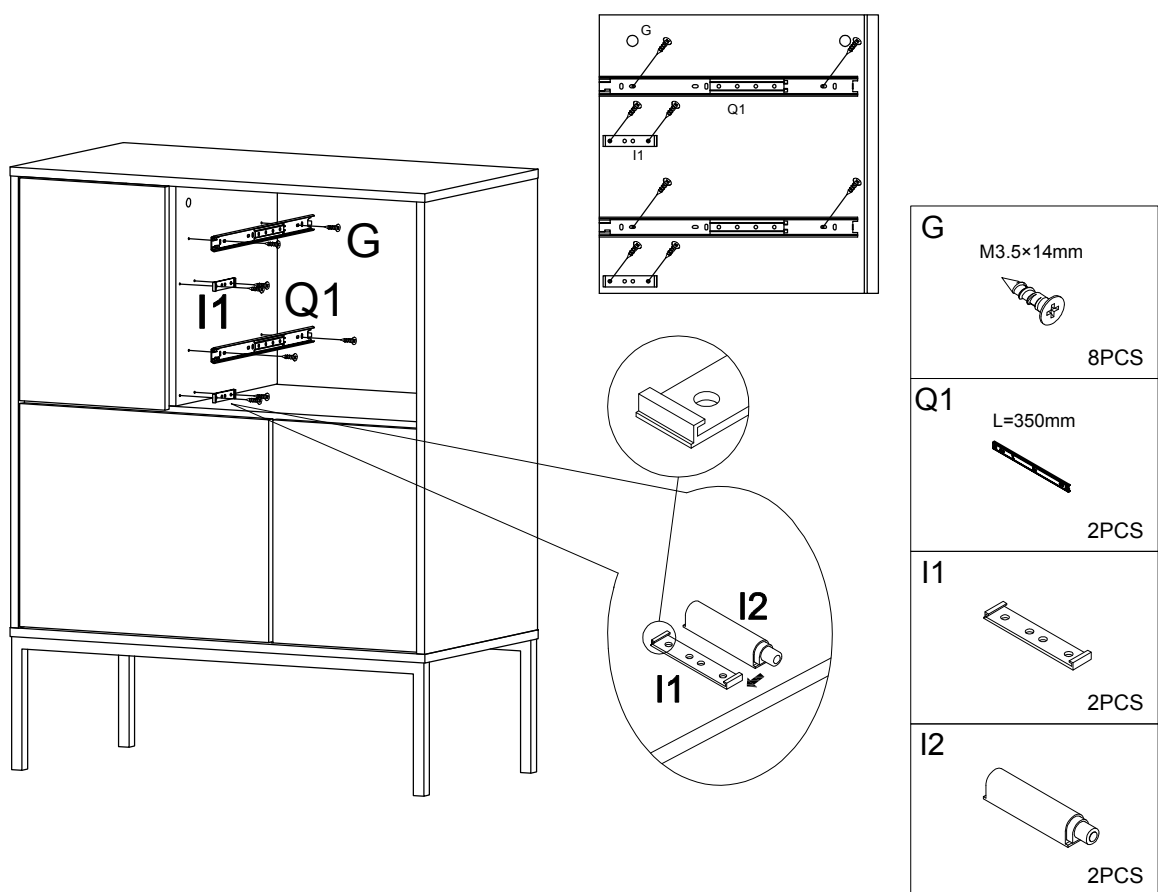
14



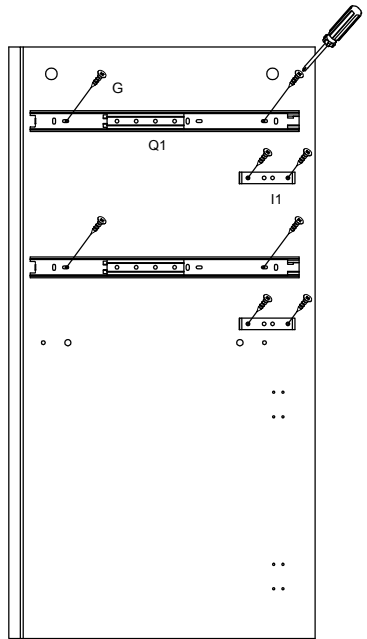
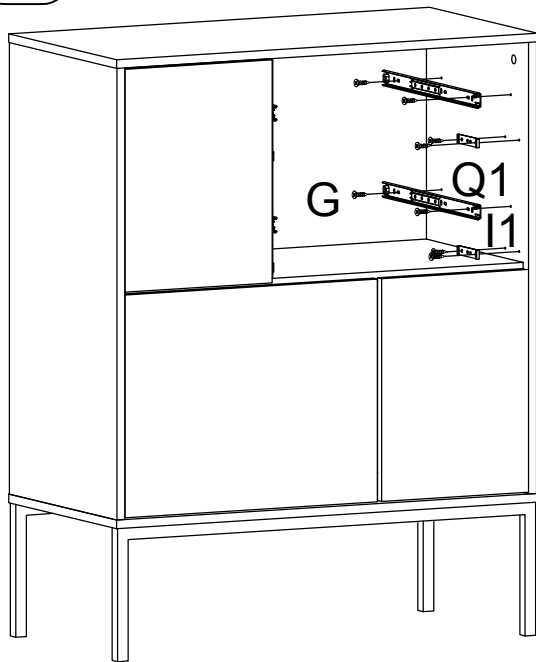
15



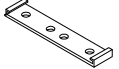
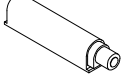


16

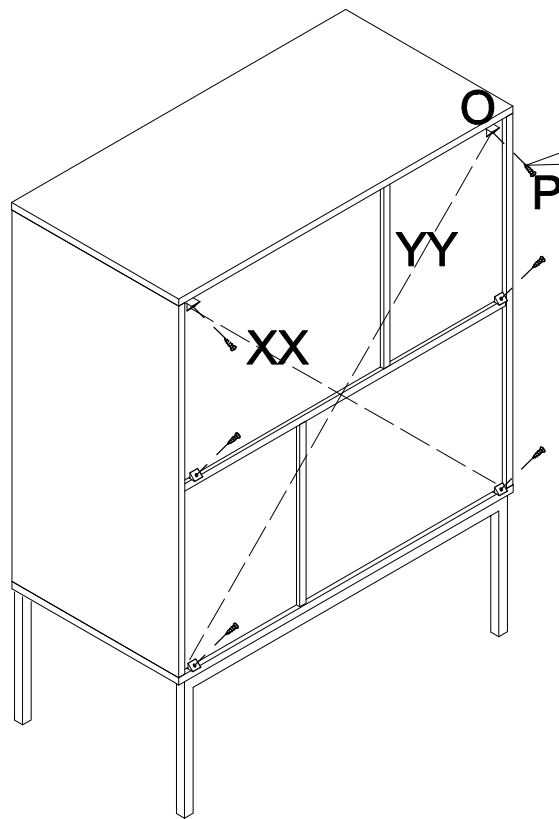
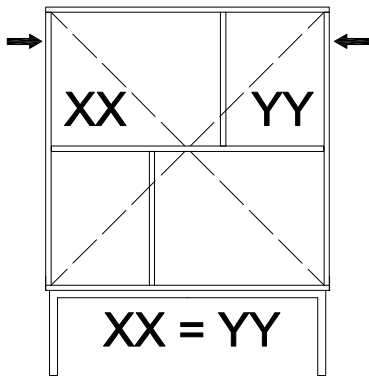




17



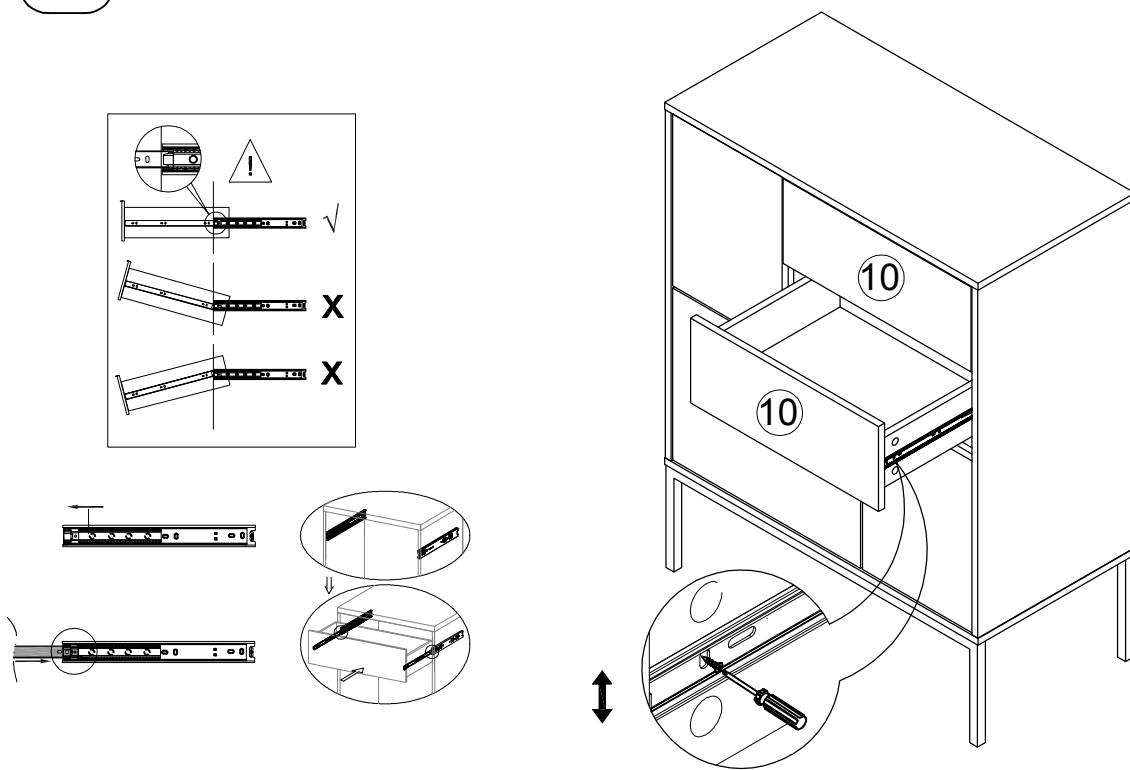
G M3.5×14mm  8PCS	Q1 L=350mm  2PCS	I1  2PCS	I2  2PCS
--	---	--	---

18

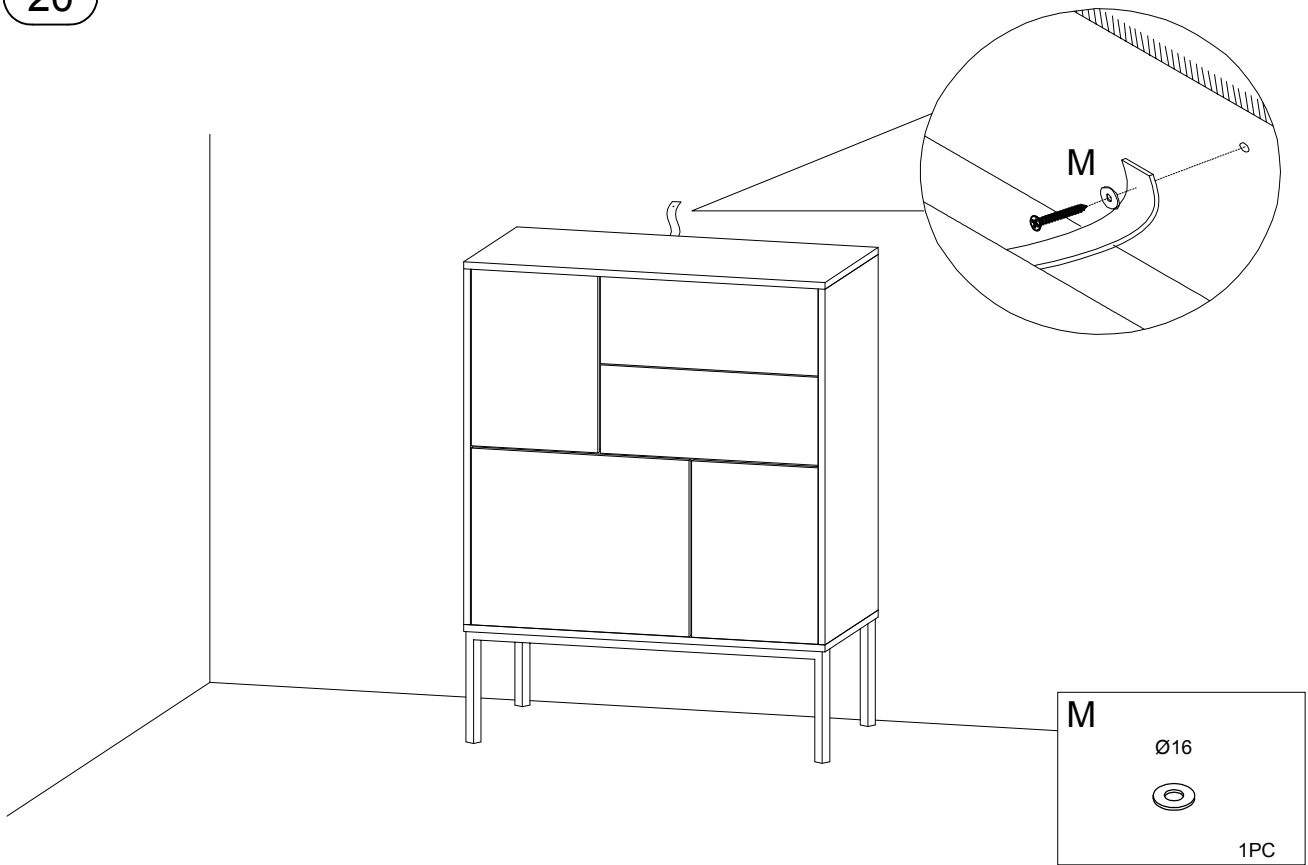


O 9×9×14mm  6PCS	P M3.5×16mm  6PCS
---	--

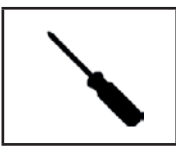
19



20

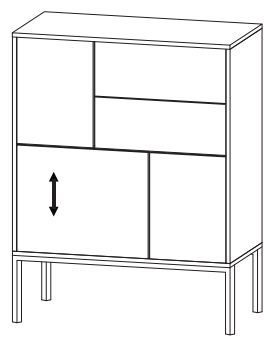
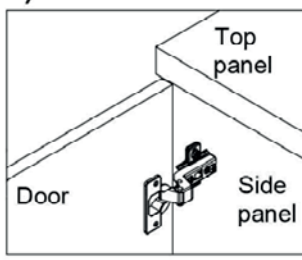


12

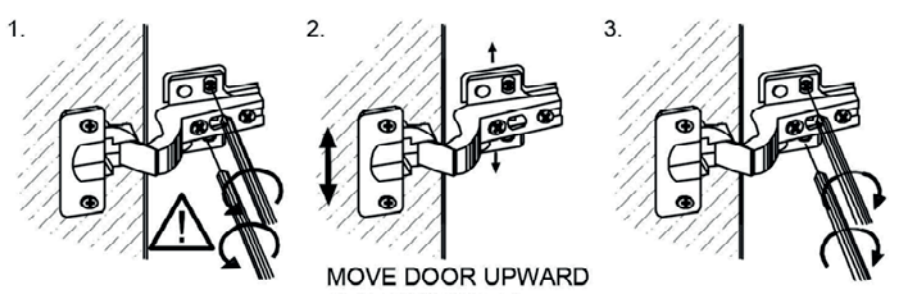


TO ADJUST YOUR DOORS TO MAKE THE GAPS MORE EVEN (OPTIONAL).

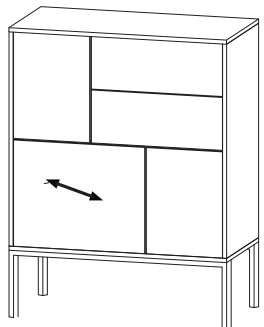
STEP 12.1
Open the door.



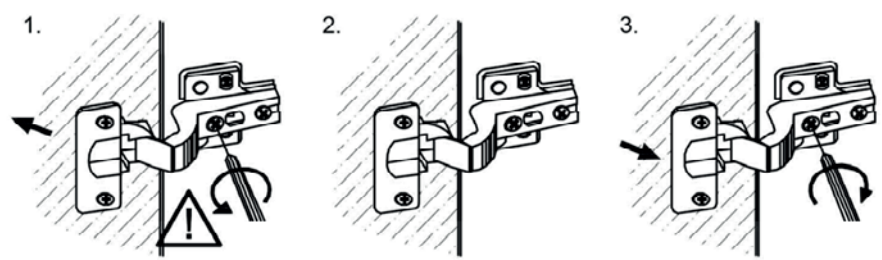
STEP 12.2
Adjust the door panels upward or downward



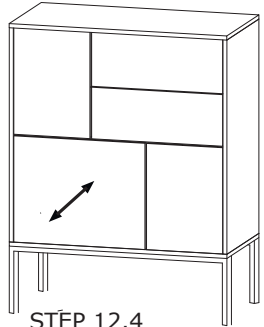
1. Unscrew 2 screws in round holes
Loosen 2 screws in oval holes a bit.
2. MOVE DOOR UPWARD OR DOWNWARD
3. Tighten 2 screws in oval holes.
Screw in 2 screws in round holes



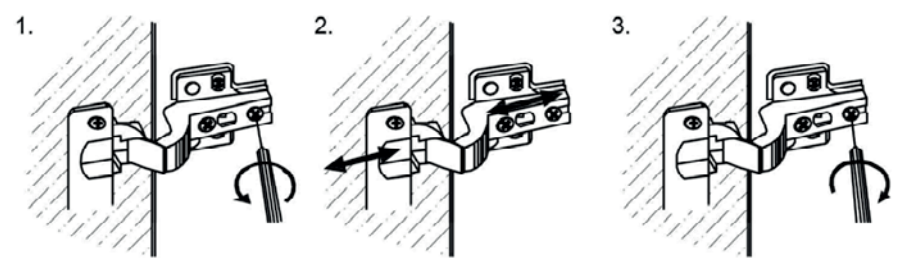
STEP 12.3
Adjust the flush between door panel and side panel



1. MOVE DOOR OUTWARD by turning this screw counter-clockwise
2. KEEP DOOR IN RIGHT POSITION
3. MOVE DOOR OUTWARD by turning this screw clockwise



STEP 12.4
Adjust the gap between door panel and side panel



1. Loosen this screw a bit.
2. MOVE DOOR BACK OR FORTH
3. Re-tighten this screw.

