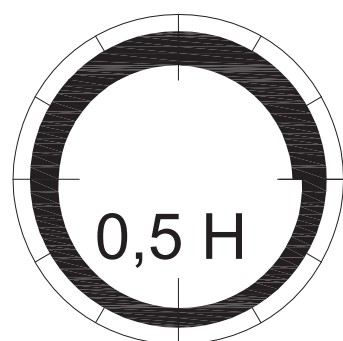
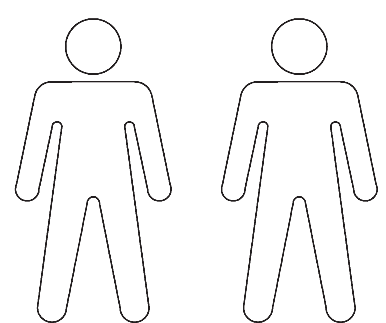
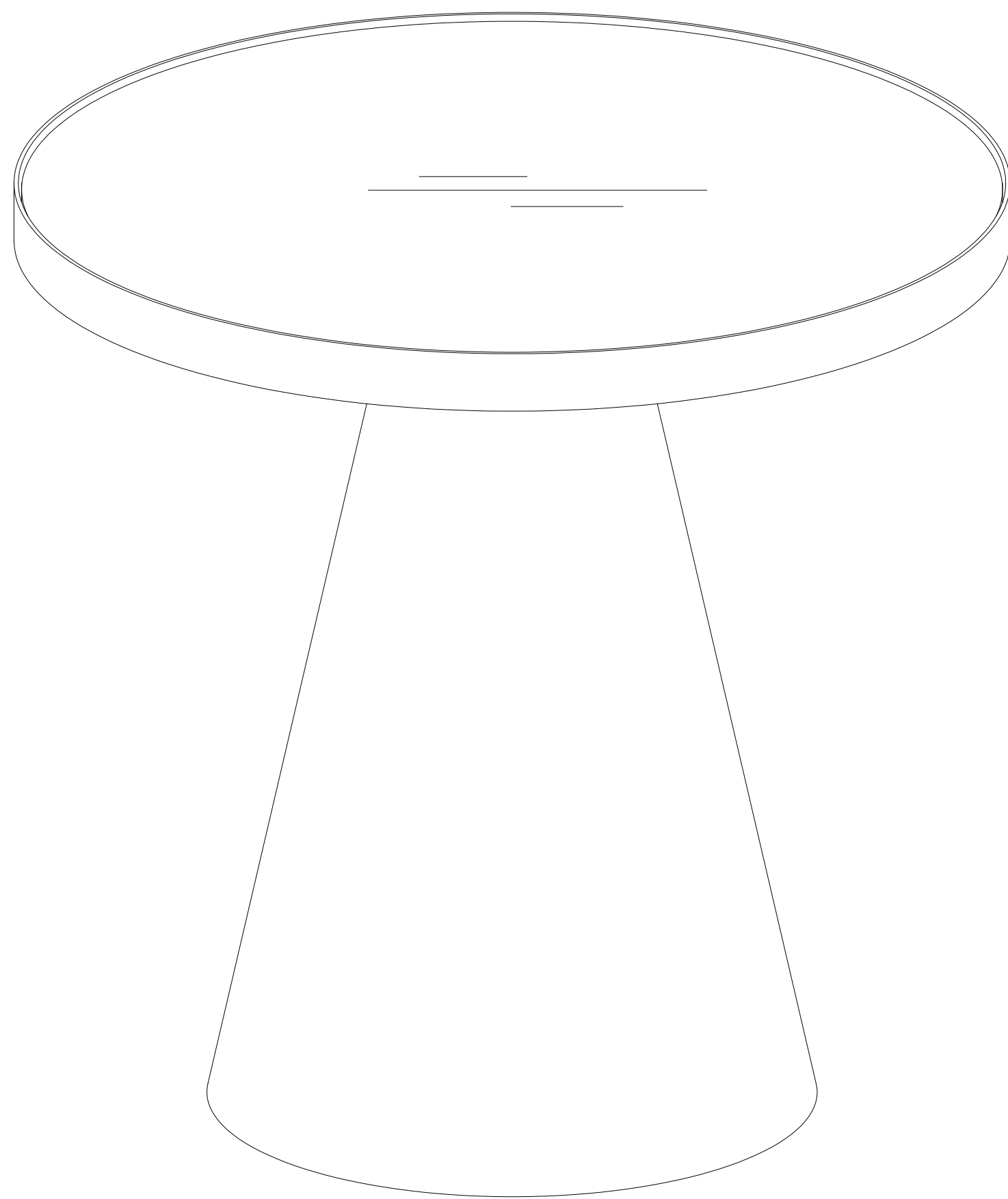
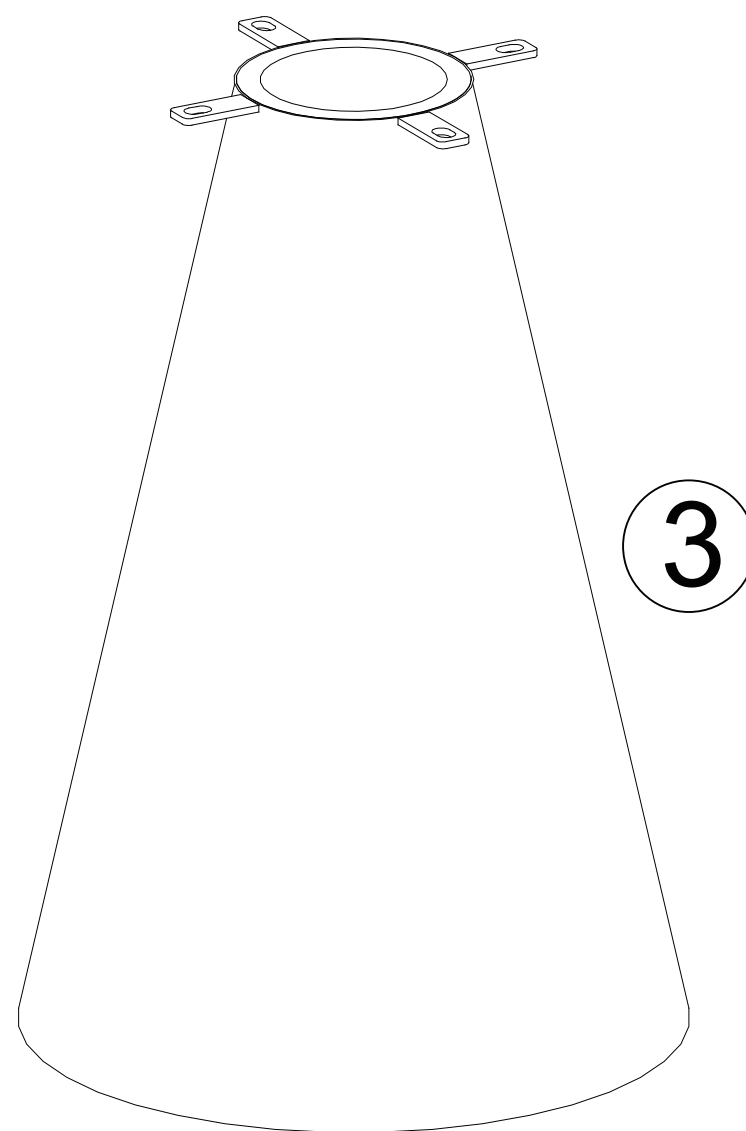
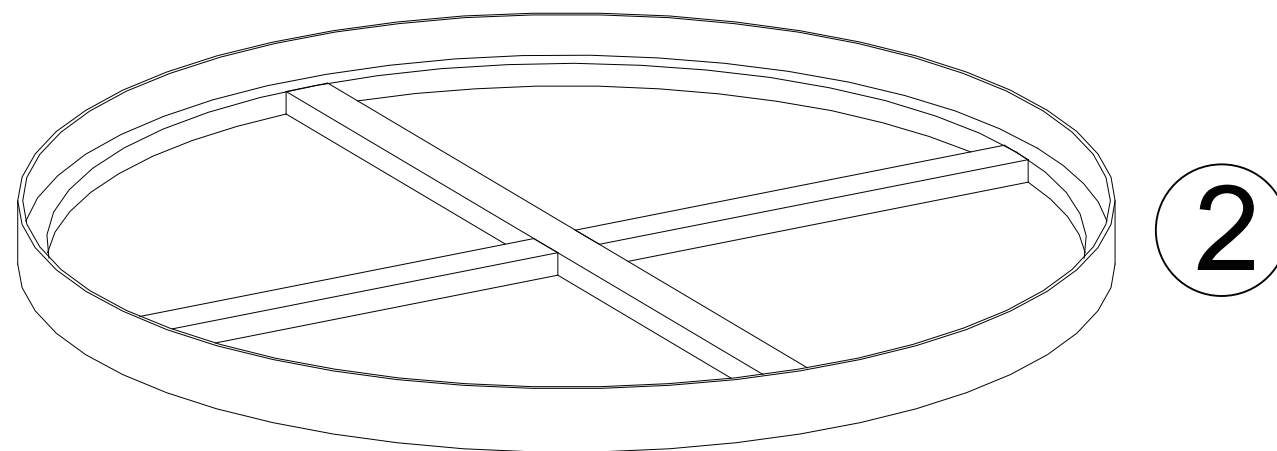
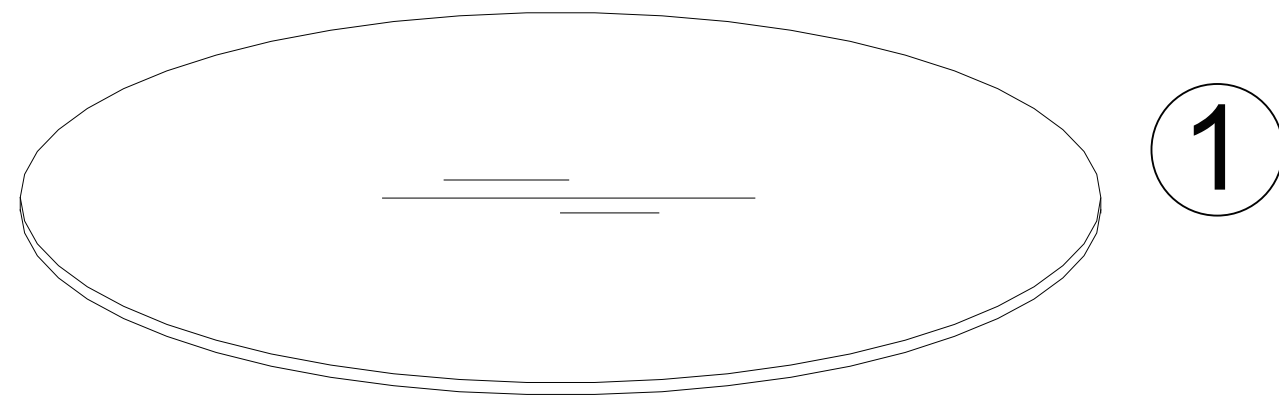
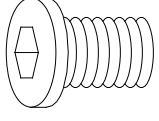
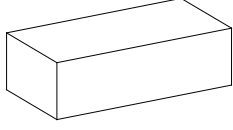


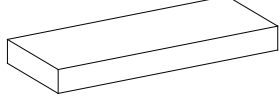


SOLI -lamp table

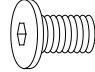

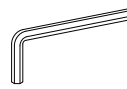


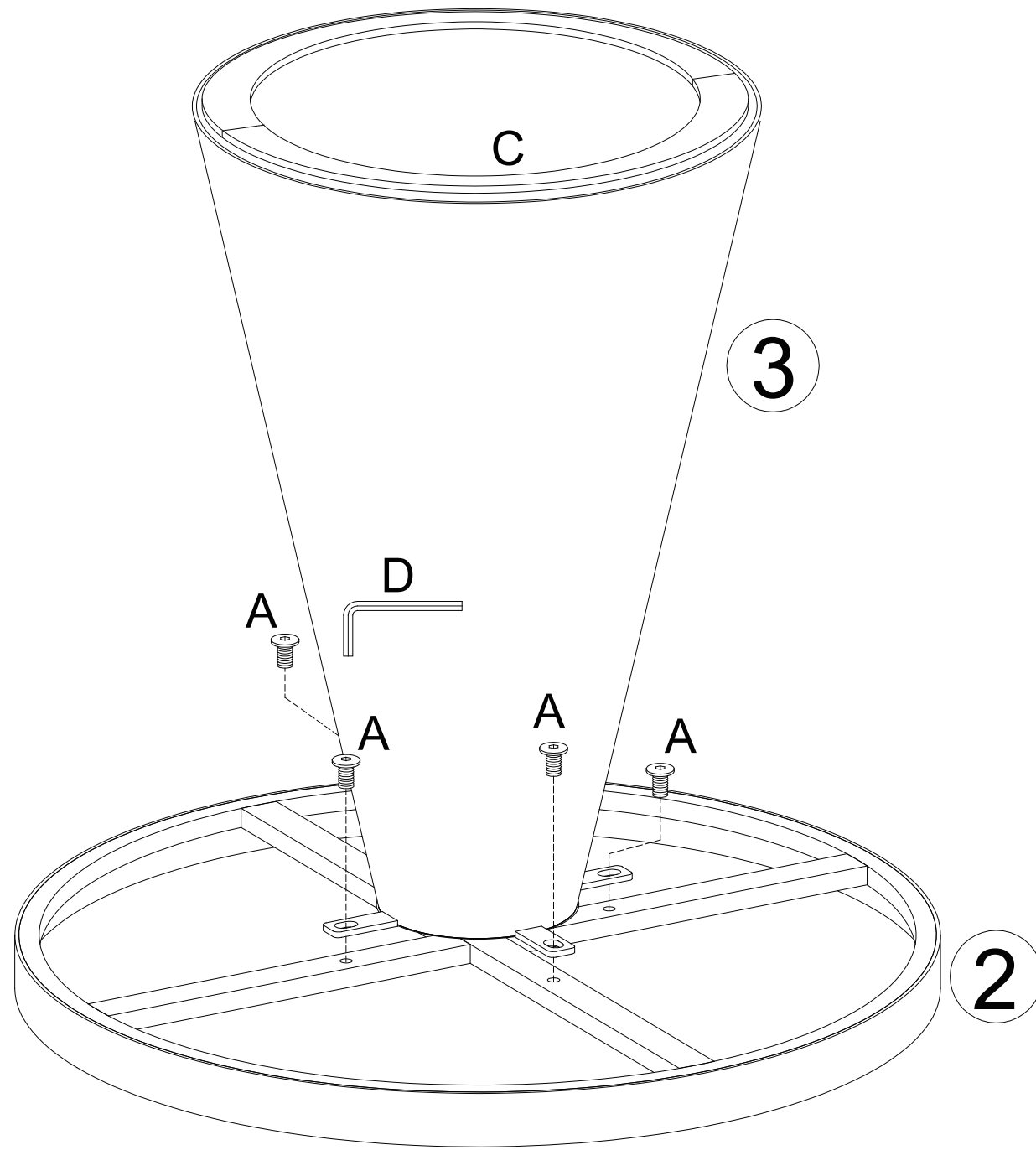
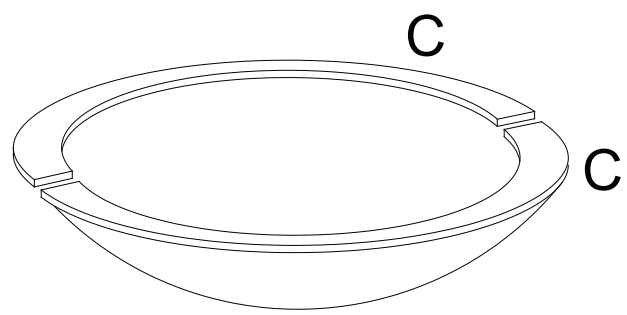
			✓
①	1	$\text{Ø}450 \times 12 /$ $\text{Ø}450 \times 6 /$ $\text{Ø}450 \times 16$	
②	1	$\text{Ø}457 \times 28$	
③	1	$\text{Ø}280 \times 415$	




<p style="text-align: center;">A x 4</p>  <p style="text-align: center;">M6 x 10</p>	<p style="text-align: center;">B x 8</p>  <p style="text-align: center;">10 x 20 x 6</p>	<p style="text-align: center;">C x 2</p>  <p style="text-align: center;">270 x 135 x 3</p>
<p style="text-align: center;">D x 1</p>  <p style="text-align: center;">4MM</p>	<p style="text-align: center;">E x 4</p>  <p style="text-align: center;">25 x 8 x 2</p>	

1

A x 4  M6 x 10	C x 2  270 x 135 x 3	D x 1  4MM
-------------------------------------------------------------------------------------------------------	-------------------------------------------------------------------------------------------------------------	----------------------------------------------------------------------------------------------------

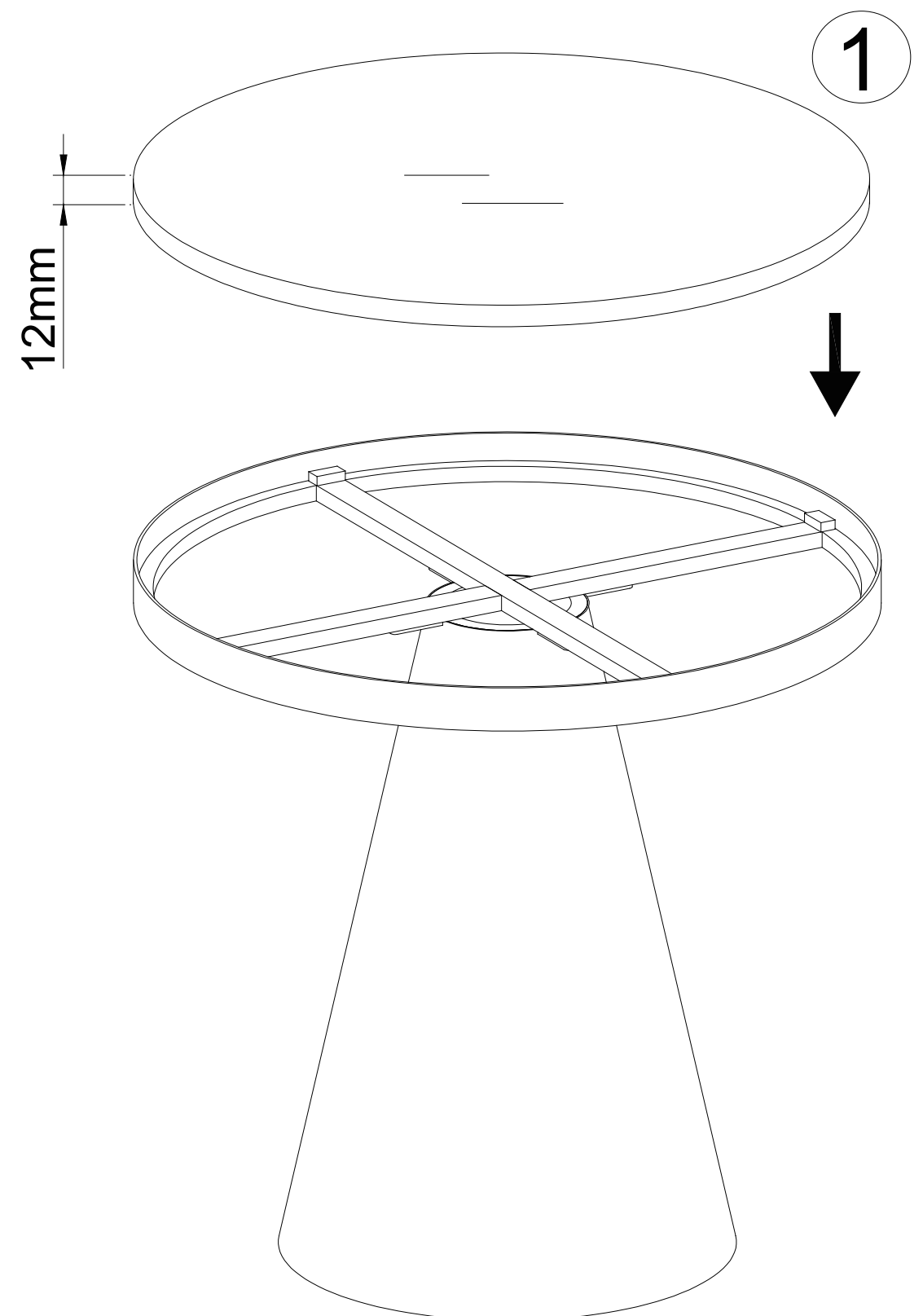
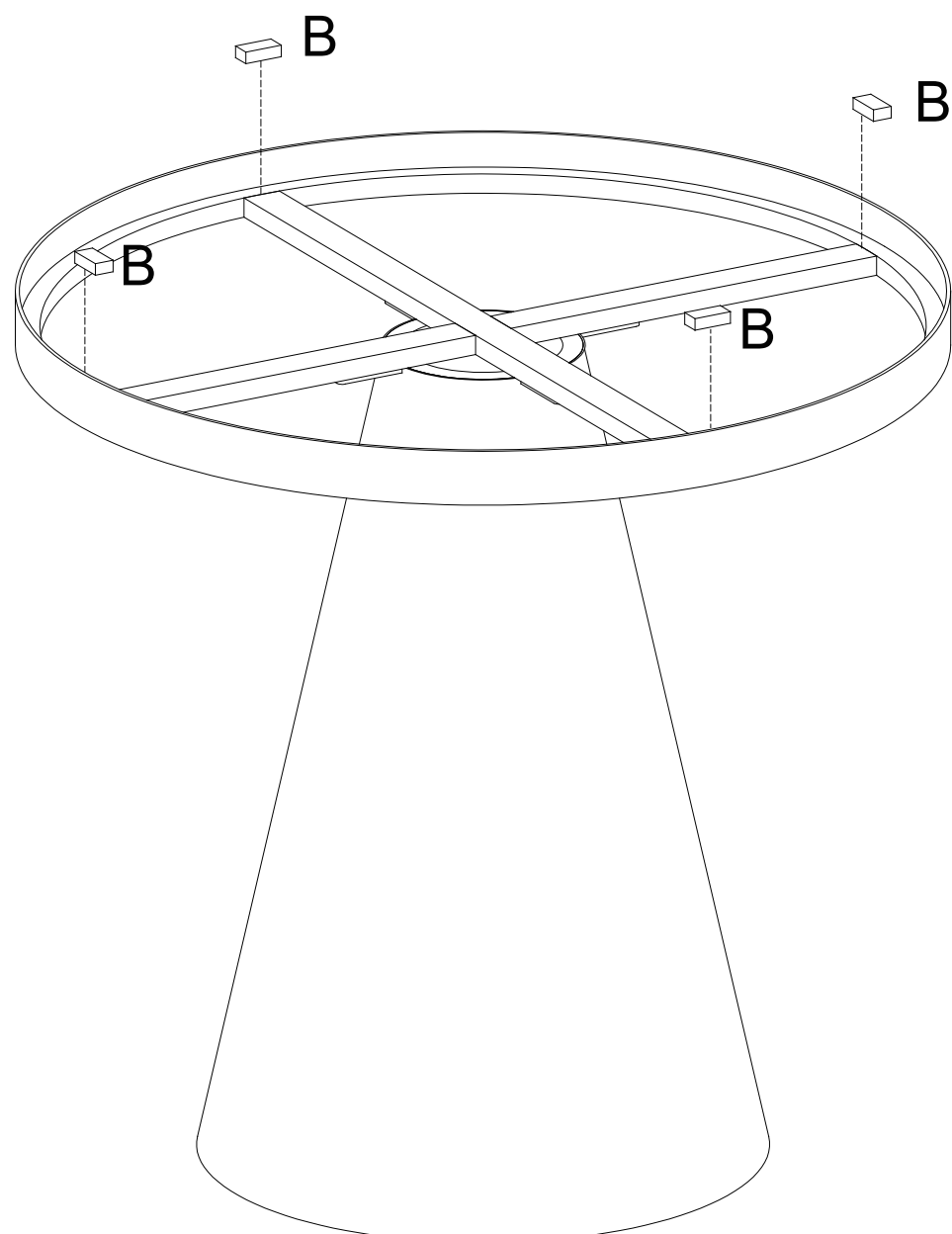


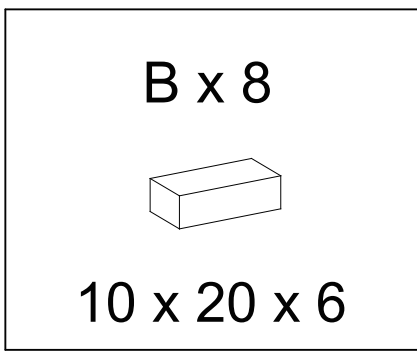
2

B x 4  10 x 20 x 6

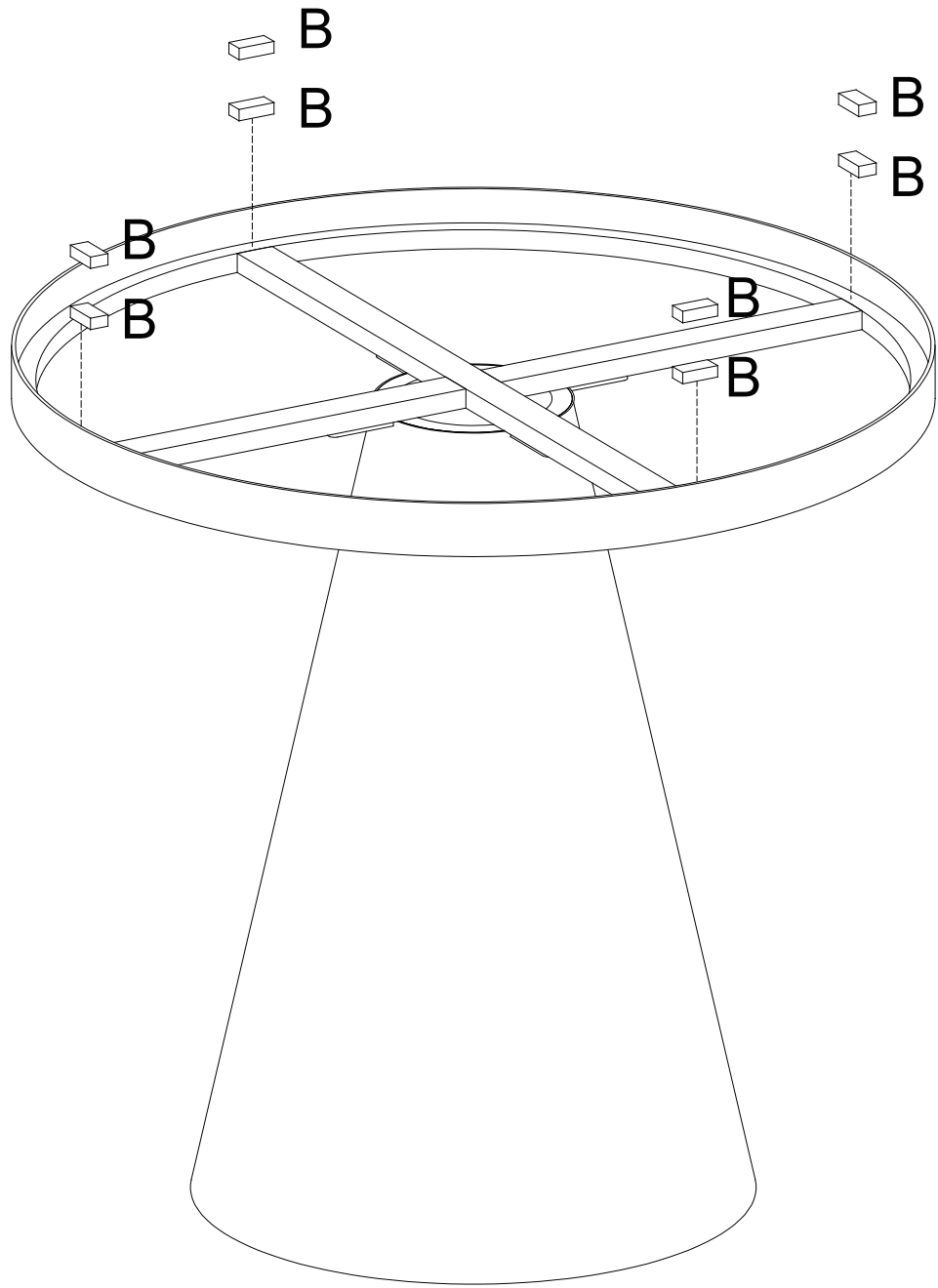
=12mm

=12mm

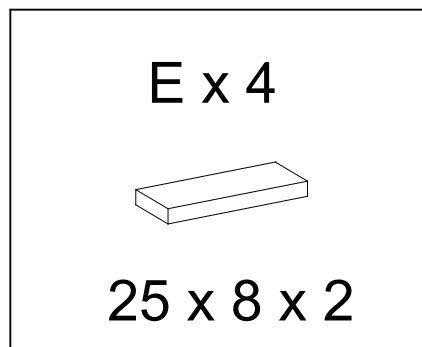
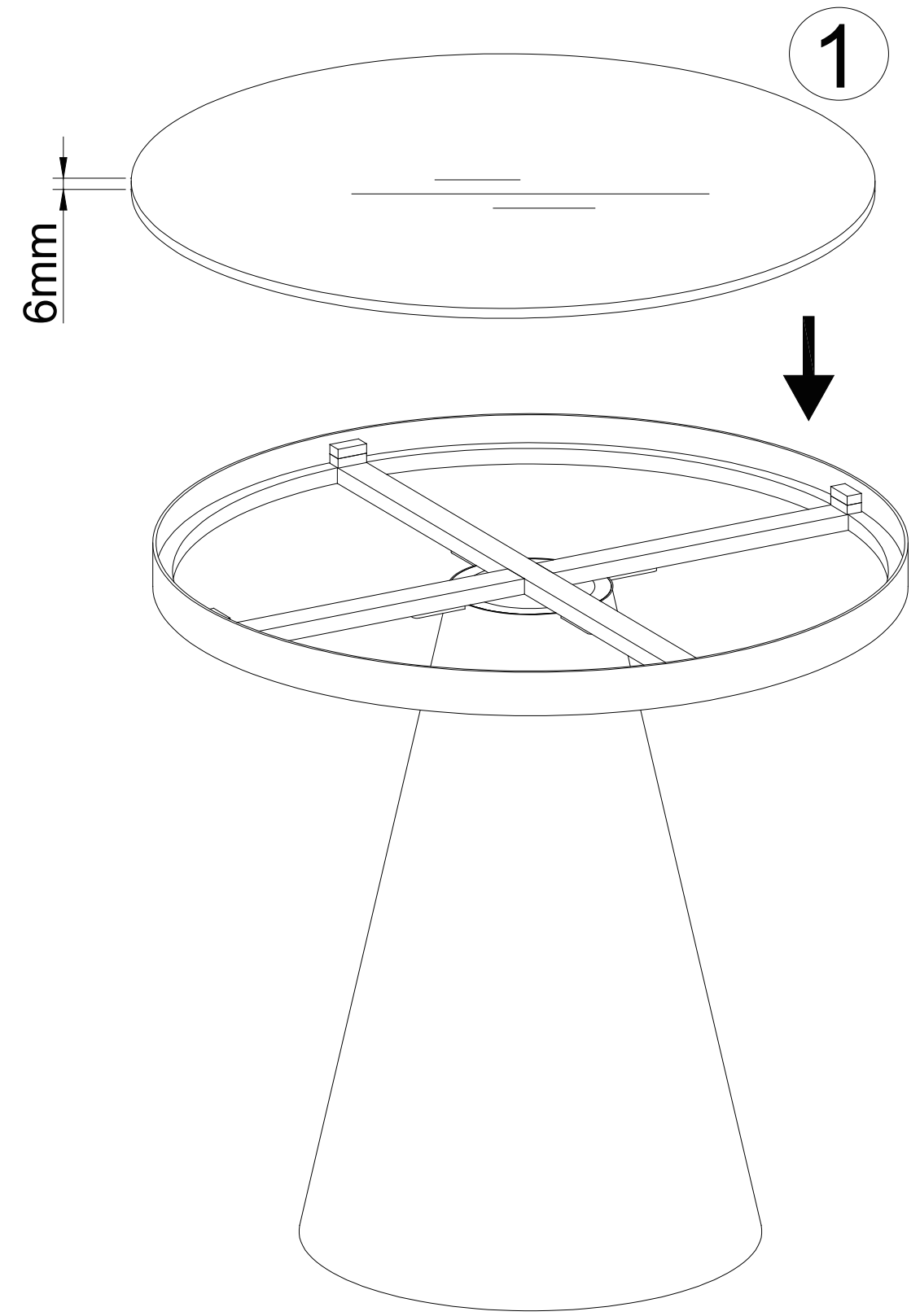




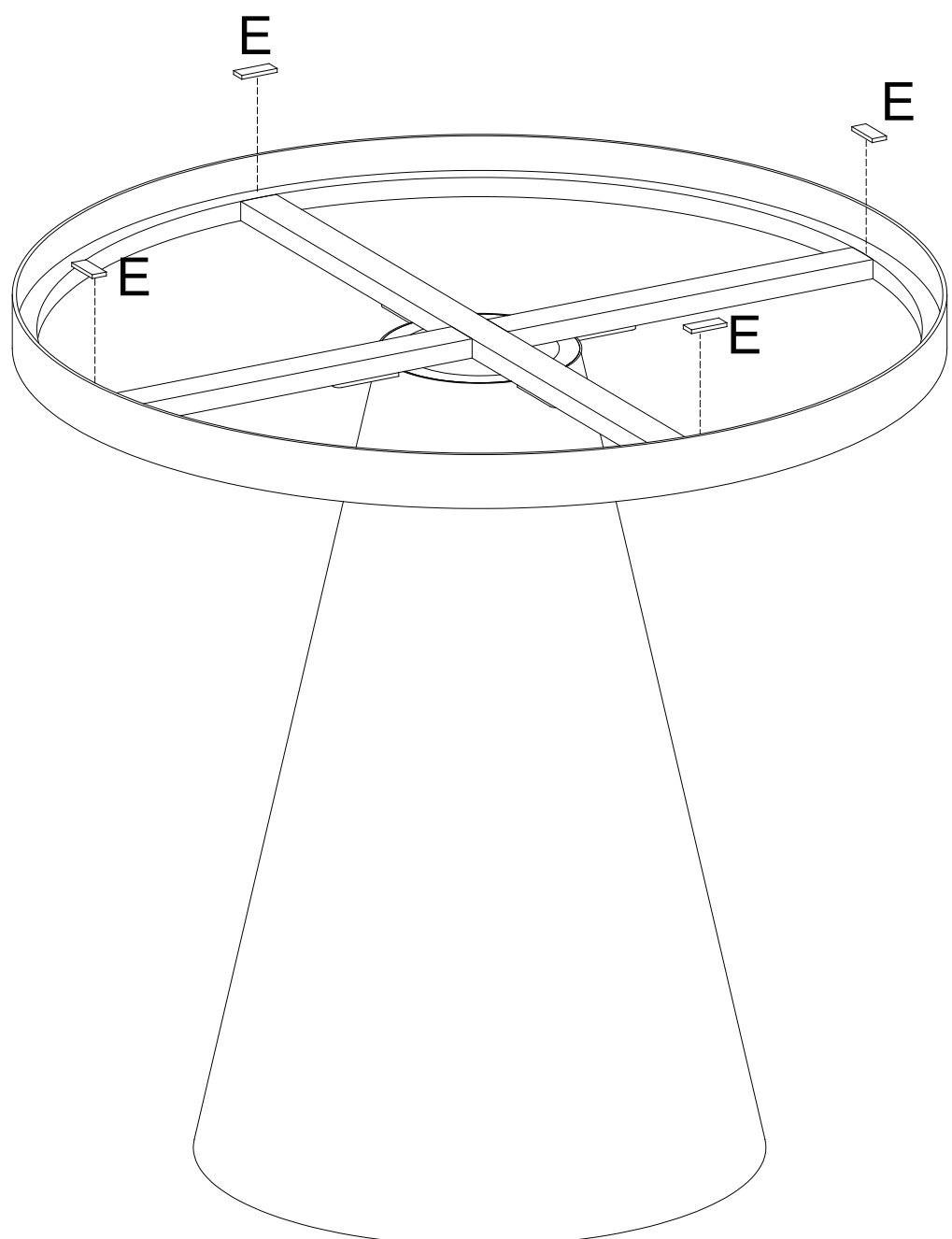
=6mm



=6mm



=16mm



=16mm

