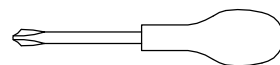
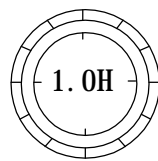
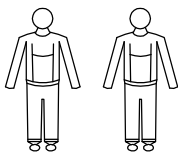
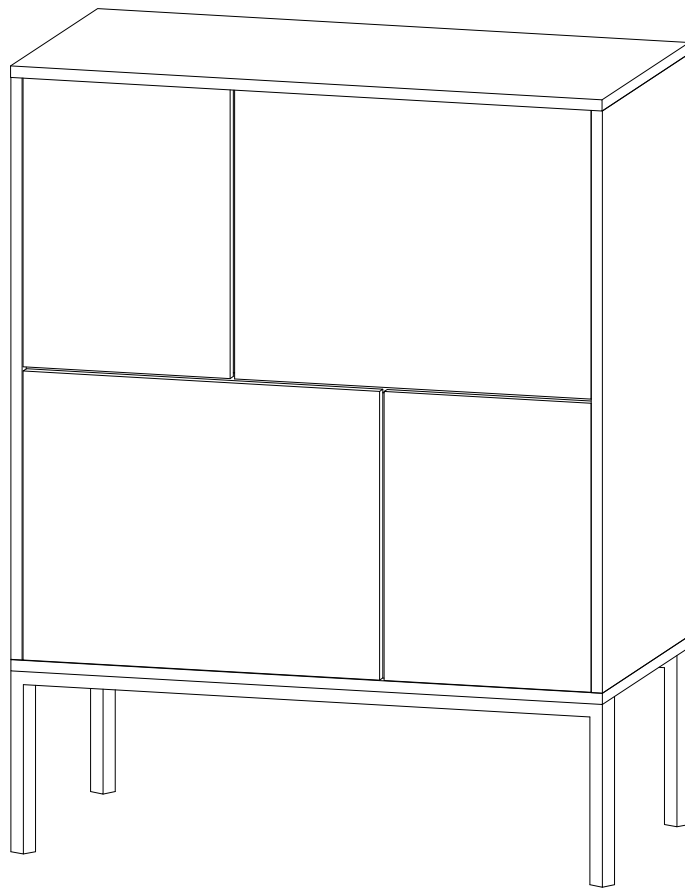
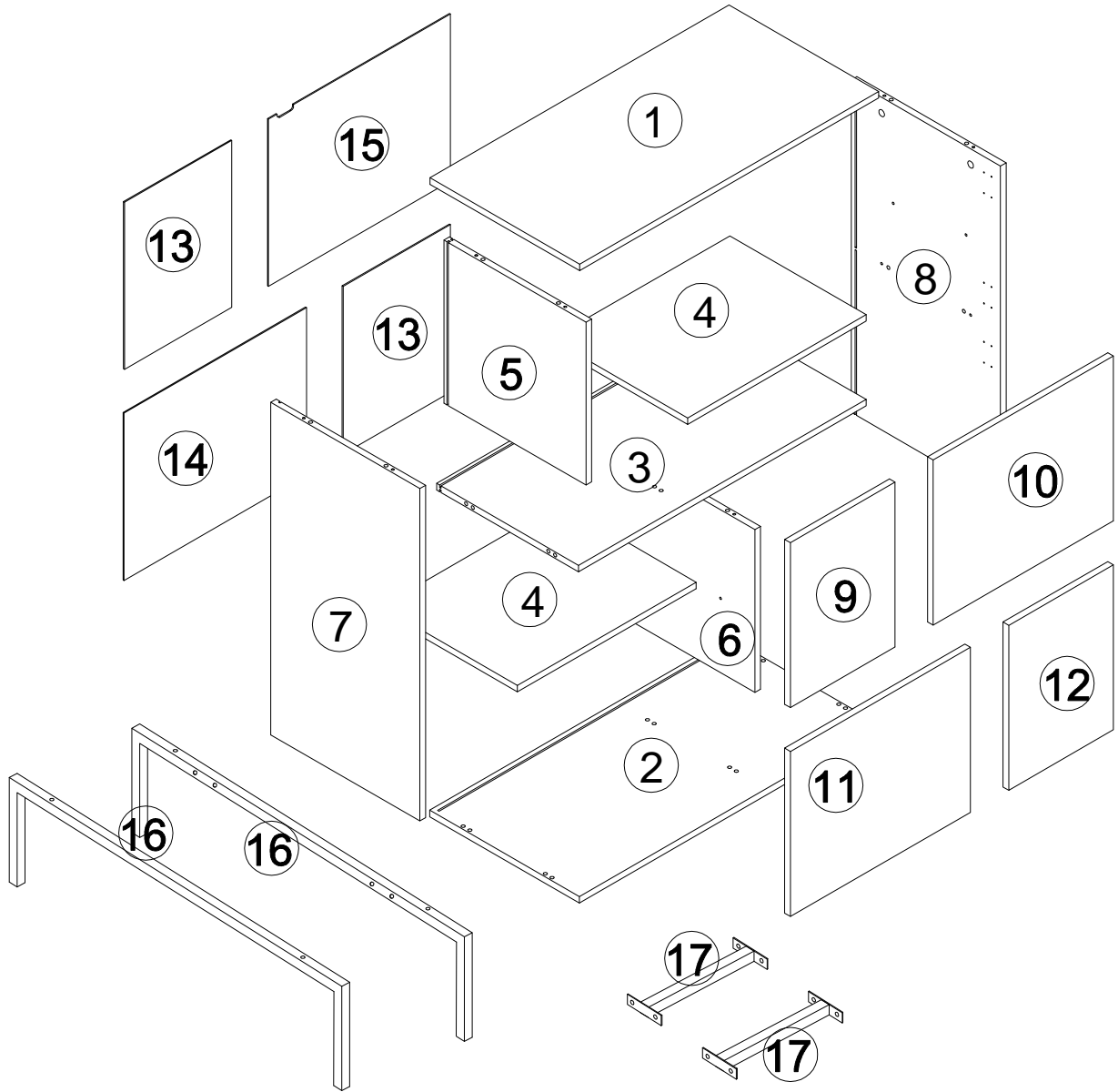
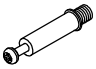




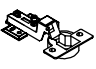


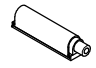
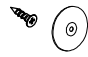
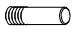
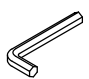


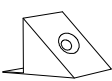



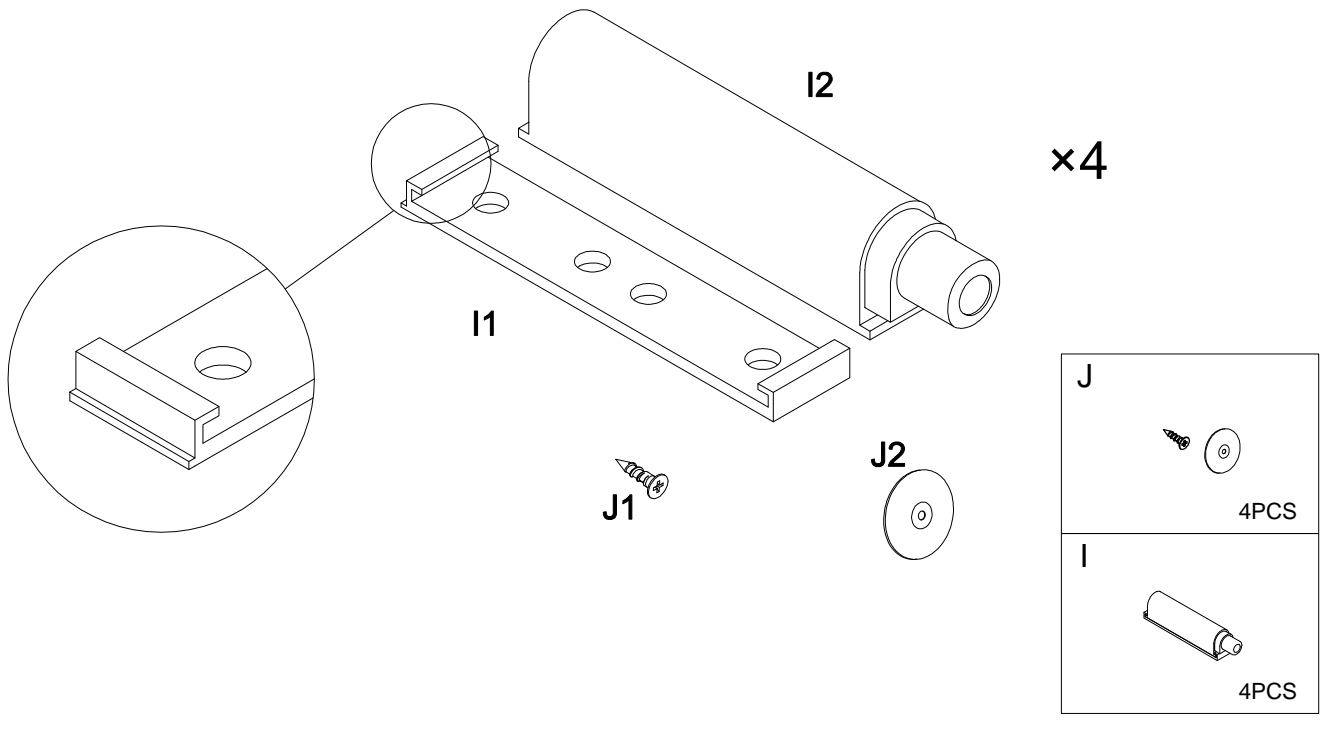
Seaford



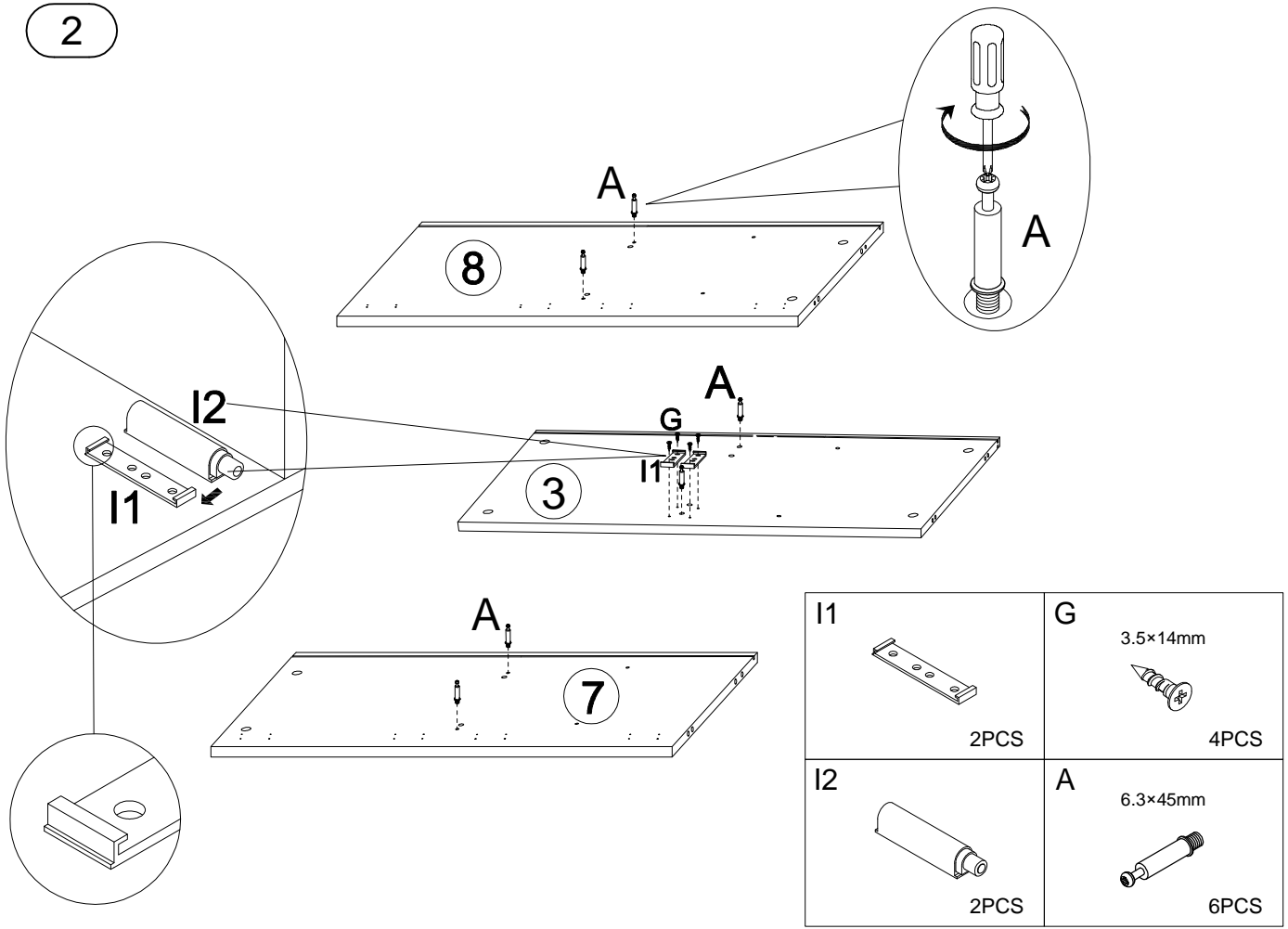


A 6.3×45mm  12PCS	B Ø15×12mm  12PCS	C Ø8×30mm  20PCS	D 7×38mm  8PCS	E M6×30mm  4PCS	F FK17  8PCS
G 3.5×14mm  58PCS	H M6×15mm  8PCS	I  4PCS	J  4PCS	K  8PCS	L 4mm  1PC
M Ø16  3PCS	N  1PC	O  6PCS	P 3.5×16mm  6PCS		

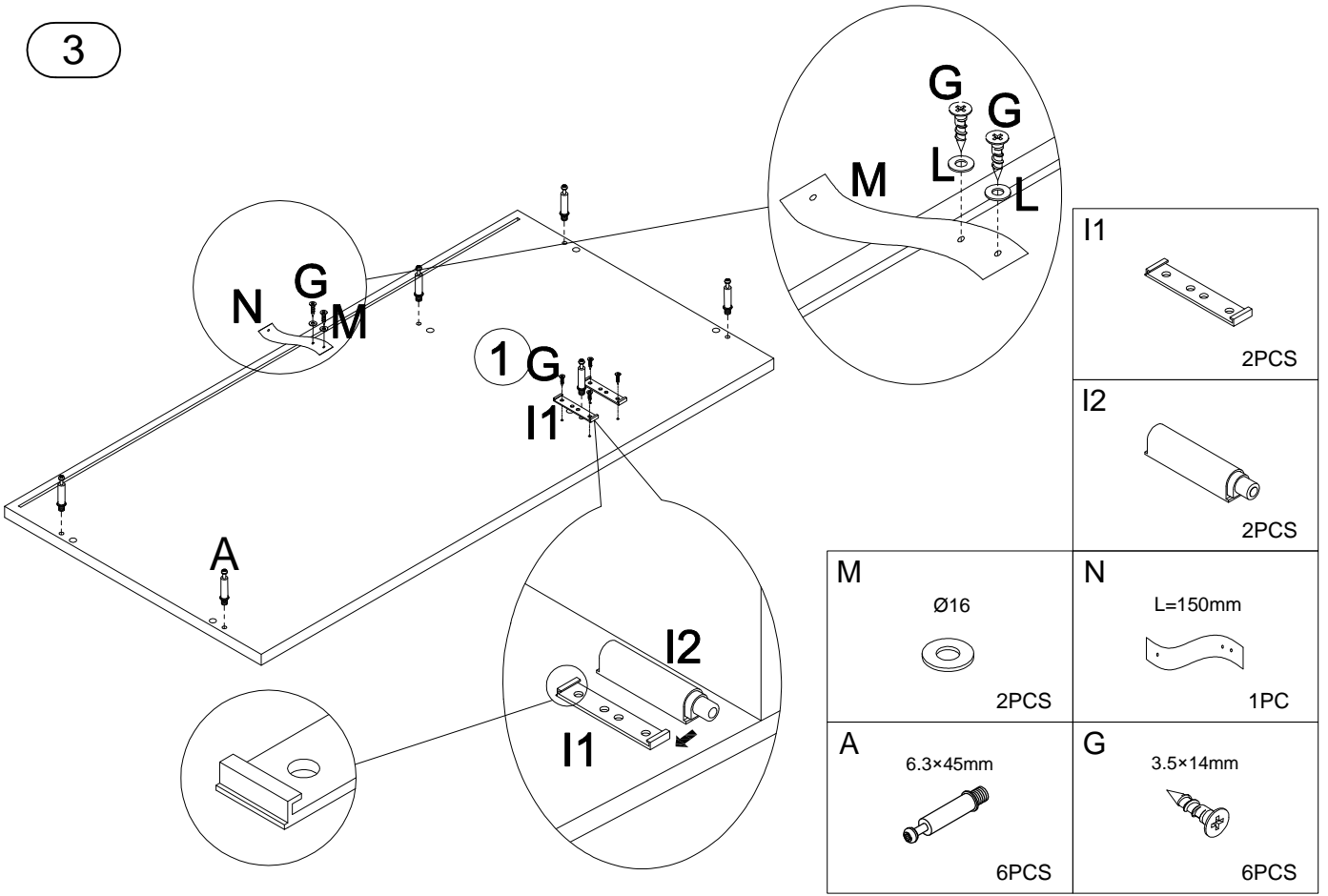
1



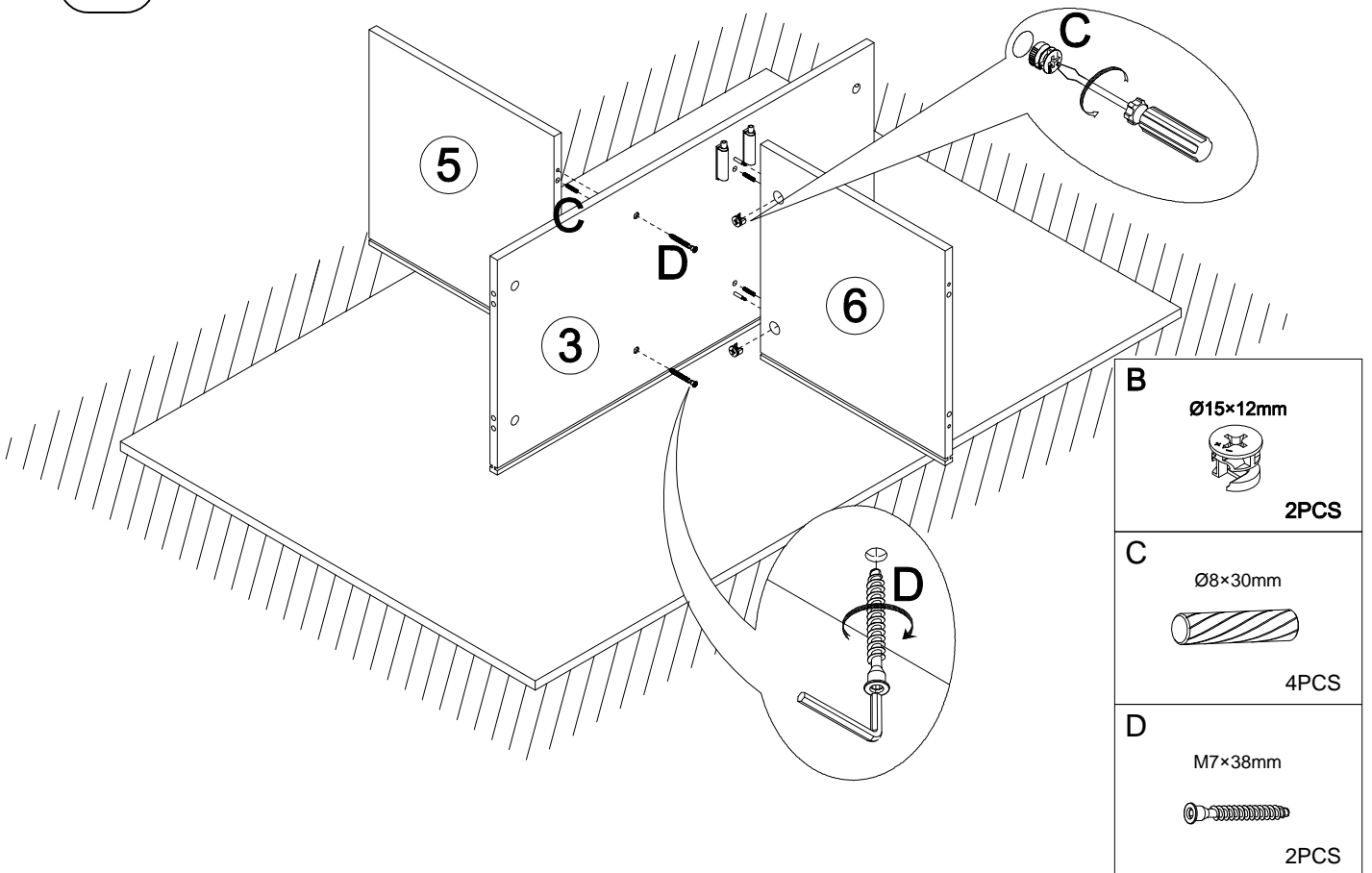
2



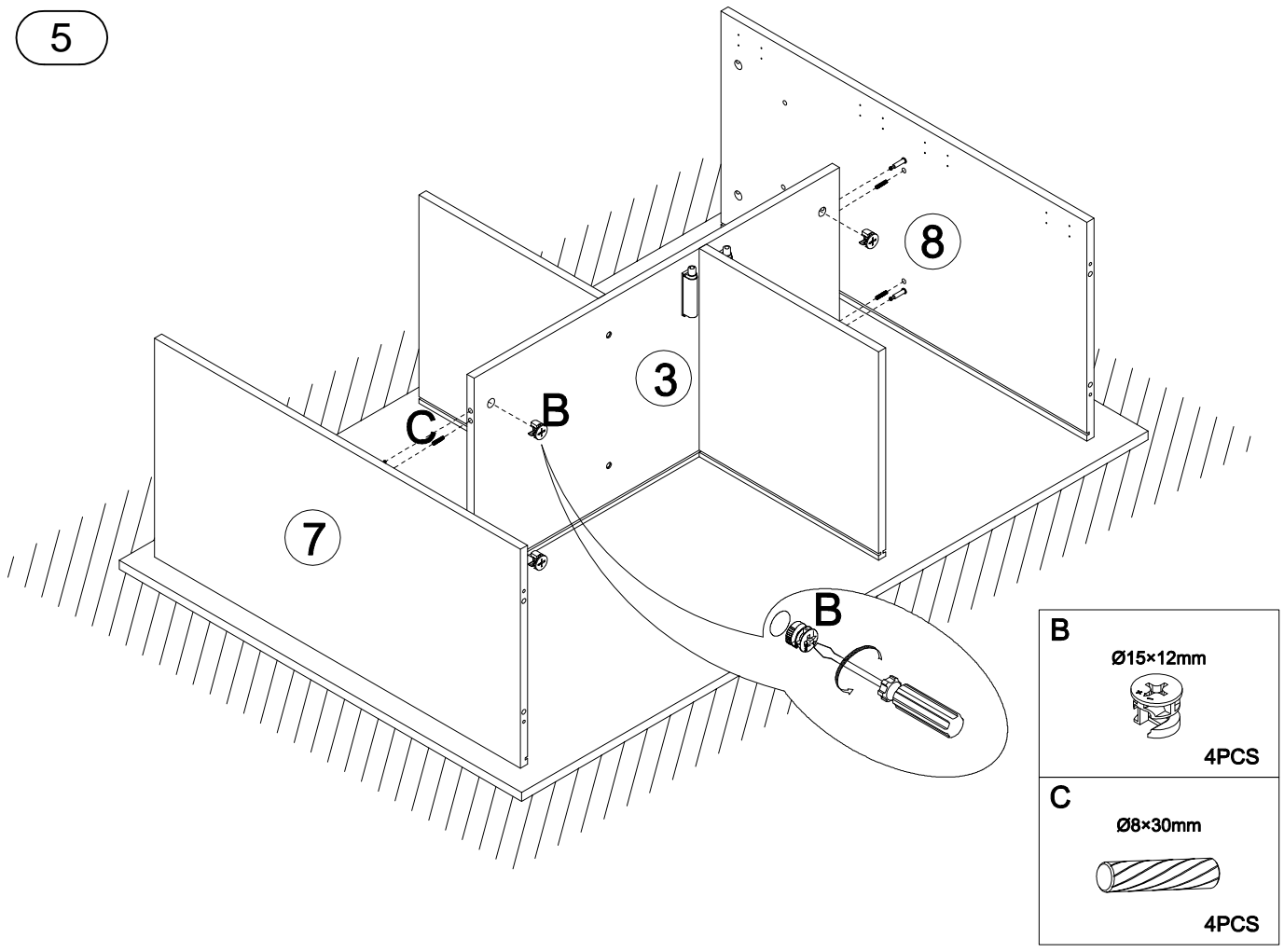
3



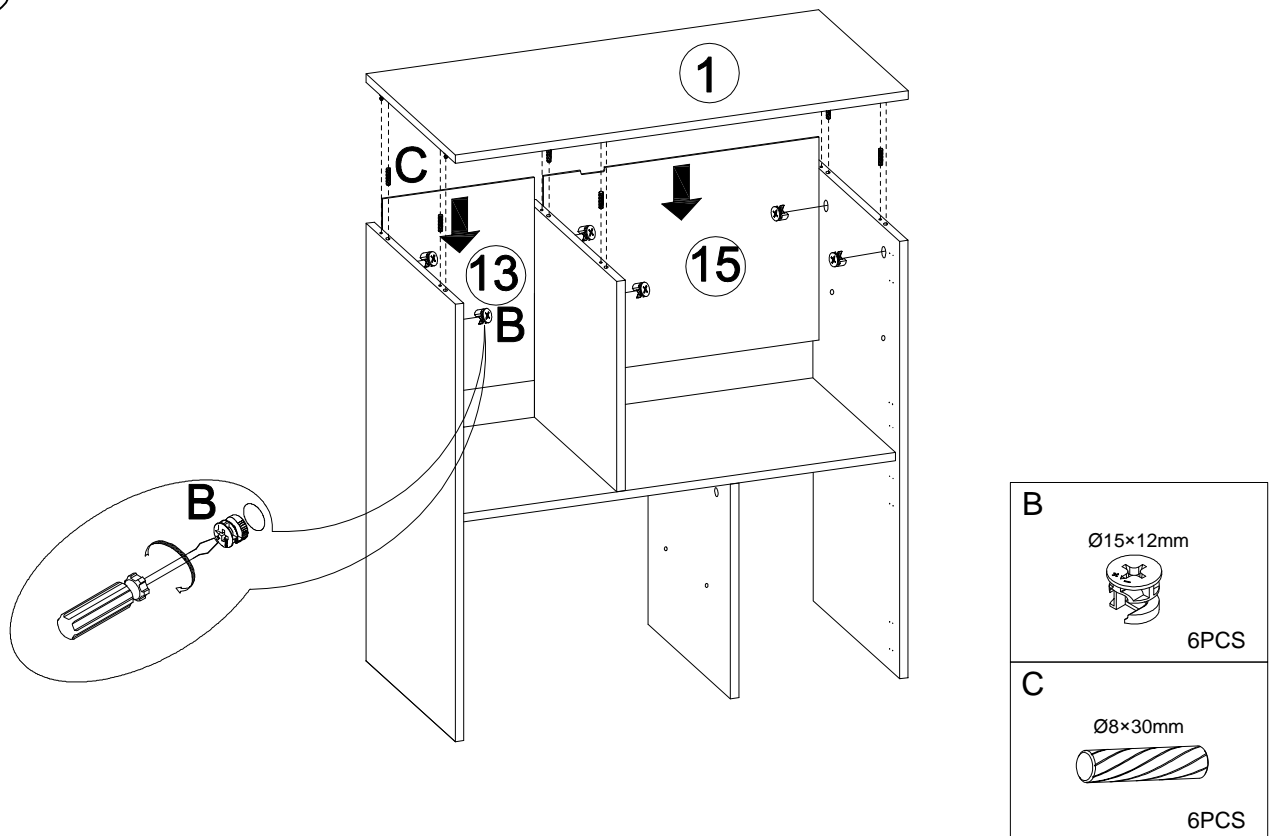
4



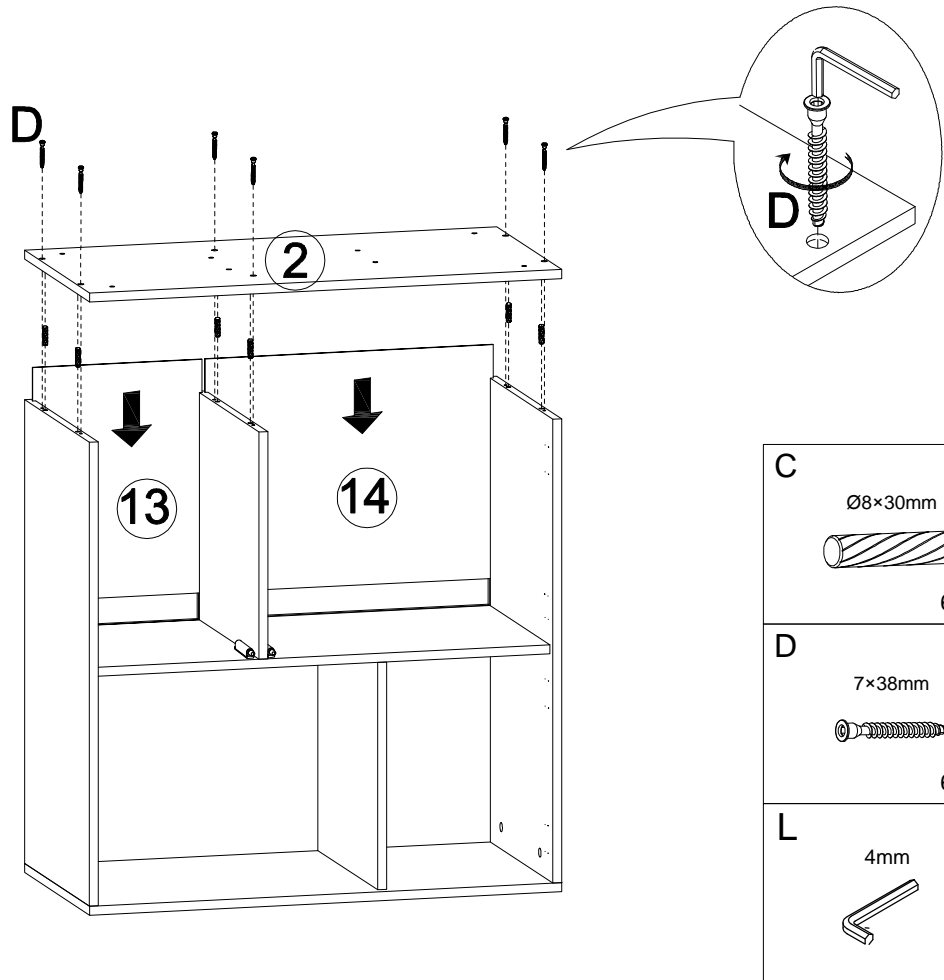
5



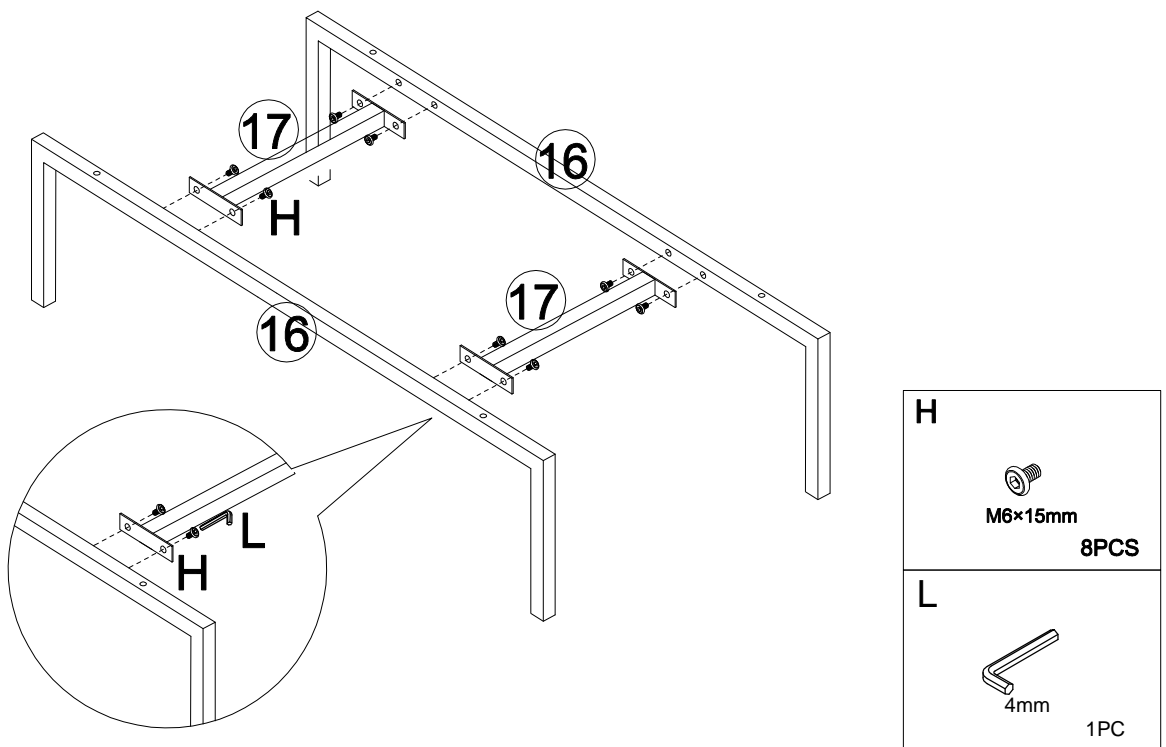
6



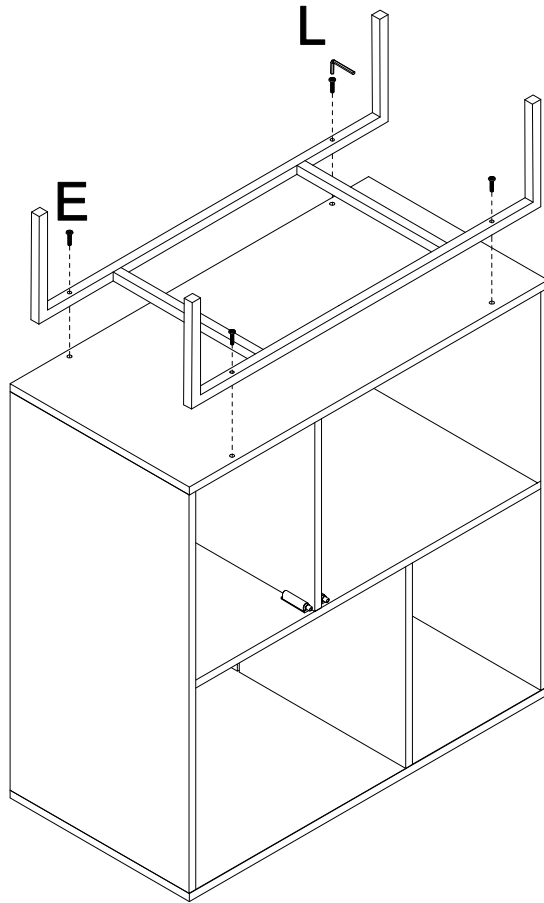
7


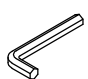


8

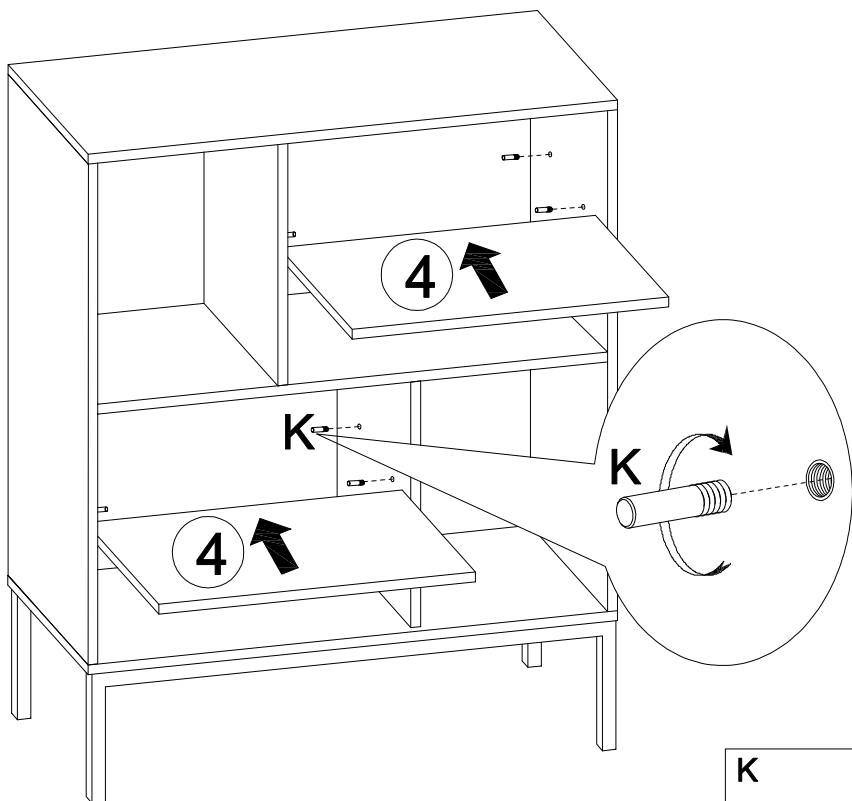



9



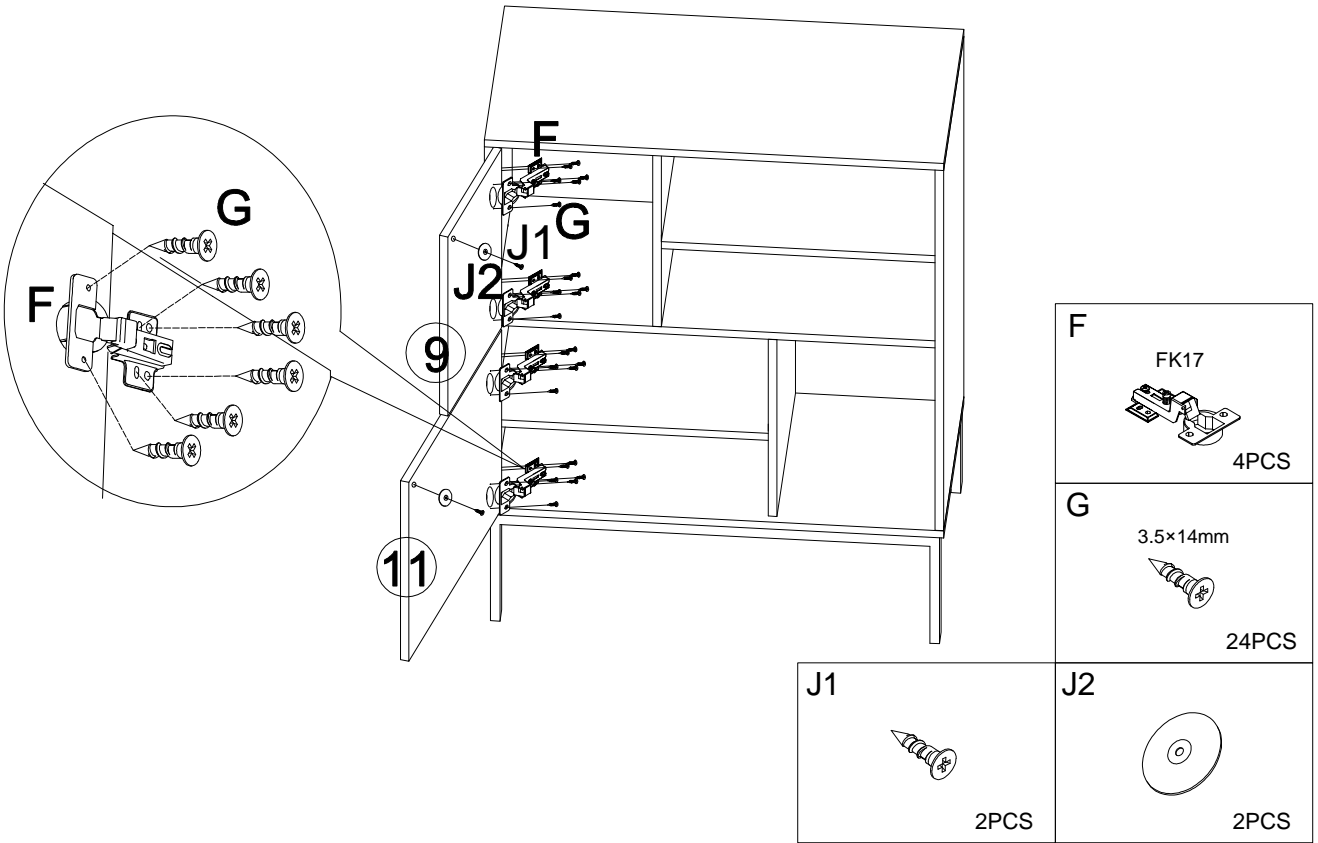
E	M6×30mm		4PCS
L	4mm		1PC

10

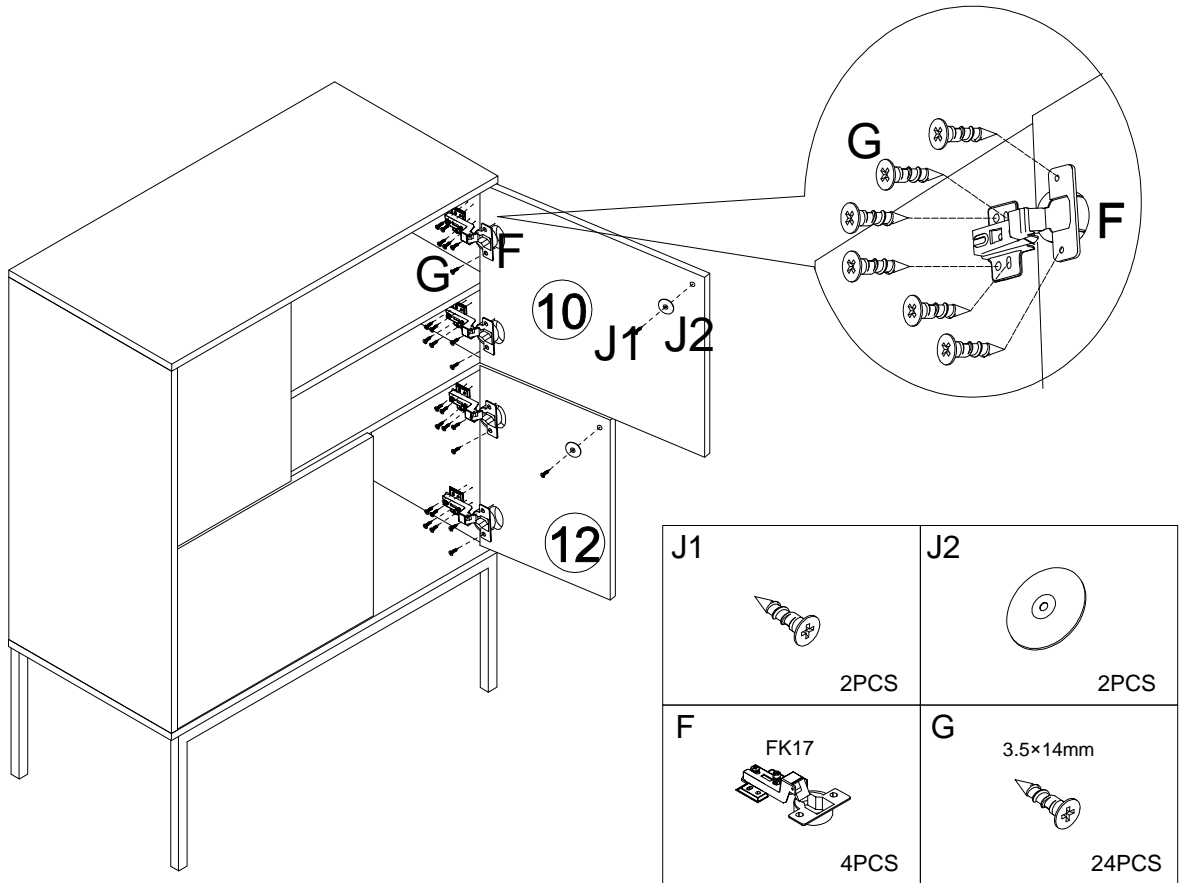


K		8PCS
----------	---	------

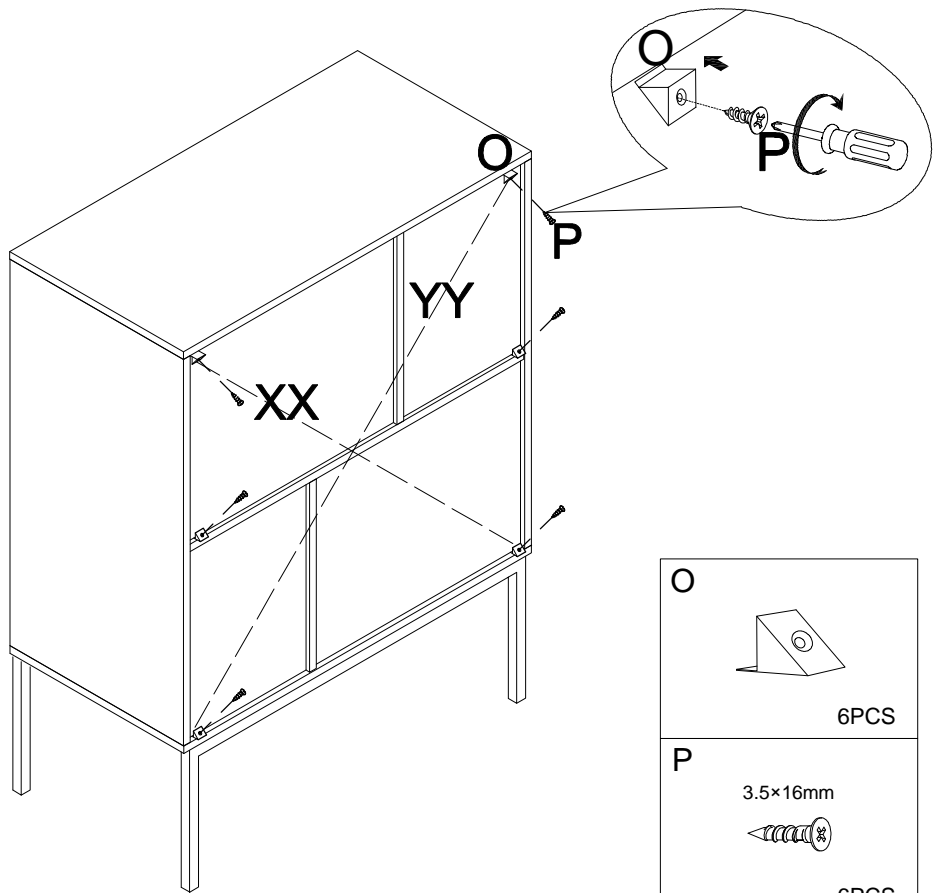
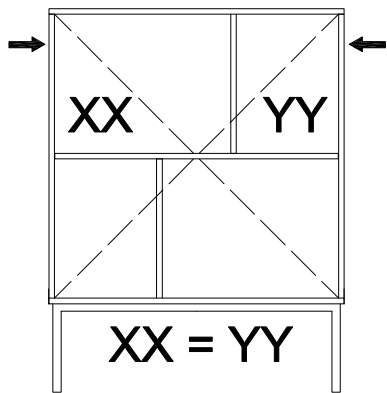
11

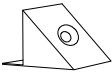



12

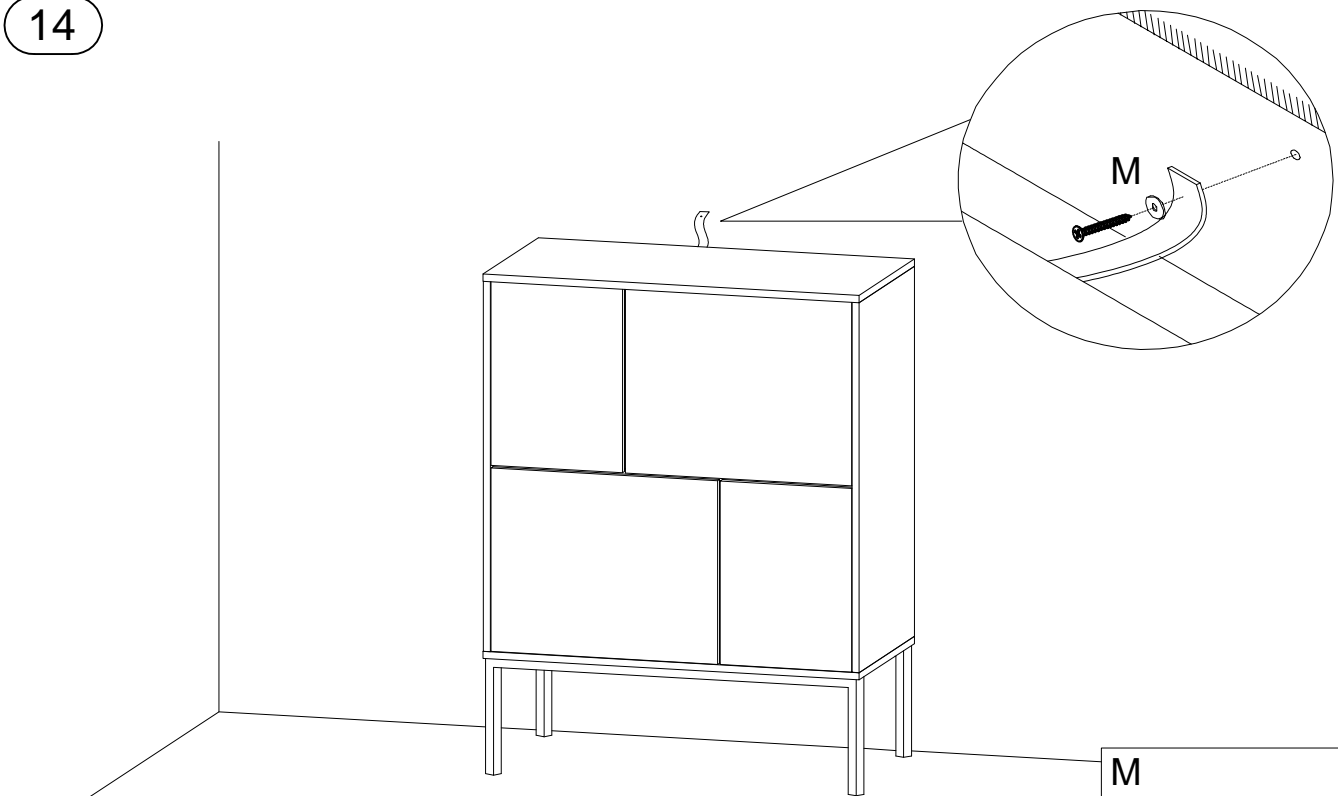



13

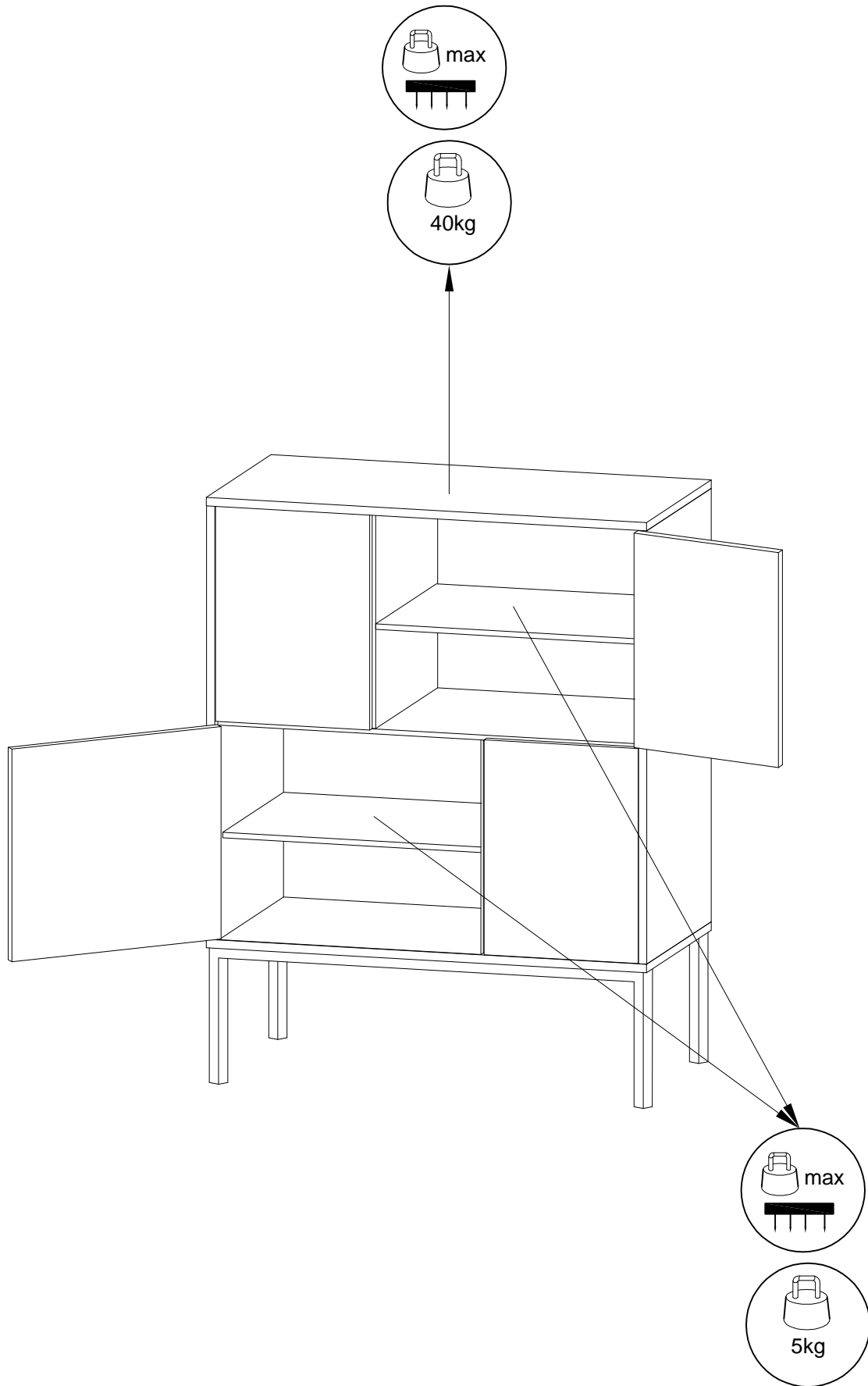


O		6PCS
P	3.5×16mm 	6PCS

14



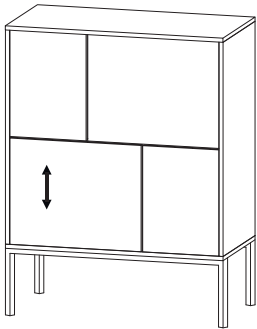
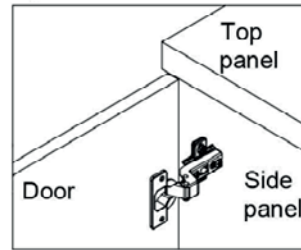
M	Ø16 	1PC
---	--	-----



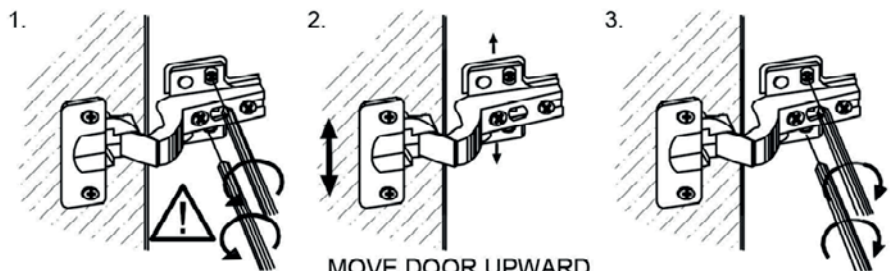


TO ADJUST YOUR DOORS TO MAKE THE GAPS MORE EVEN (OPTIONAL).

STEP 12.1
Open the door.



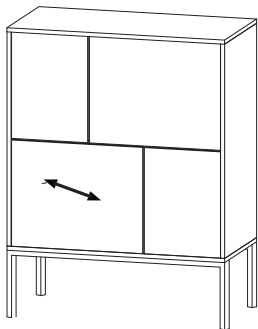
STEP 12.2
Adjust the door panels upward or downward



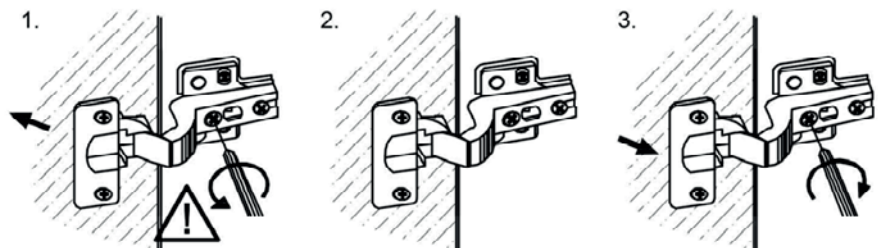
1. Unscrew 2 screws in round holes
Loosen 2 screws in oval holes a bit.

MOVE DOOR UPWARD OR DOWNWARD

3. Tighten 2 screws in oval holes.
Screw in 2 screws in round holes



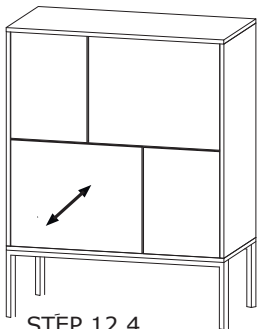
STEP 12.3
Adjust the flush between door panel and side panel



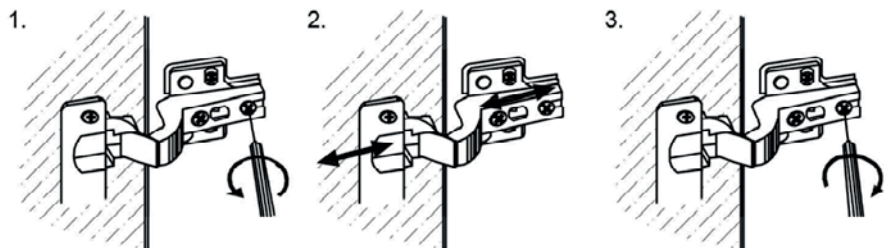
1. MOVE DOOR OUTWARD by turning this screw counter-clockwise

KEEP DOOR IN RIGHT POSITION

3. MOVE DOOR OUTWARD by turning this screw clockwise



STEP 12.4
Adjust the gap between door panel and side panel



1. Loosen this screw a bit.

MOVE DOOR BACK OR FORTH

3. Re-tighten this screw.