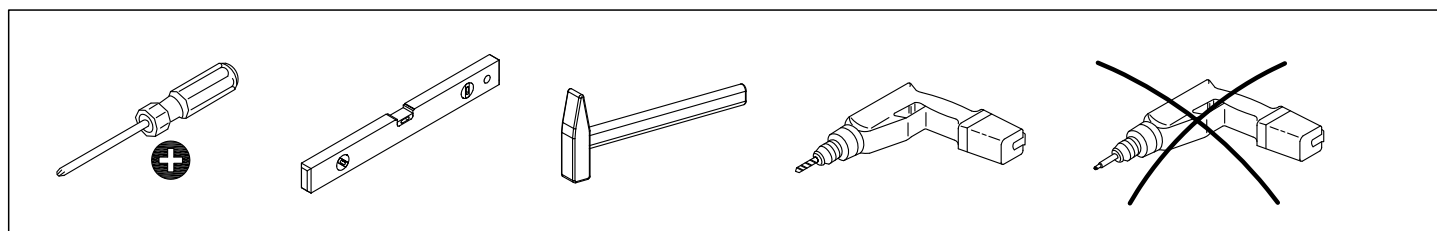
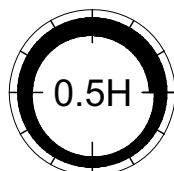
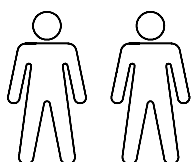
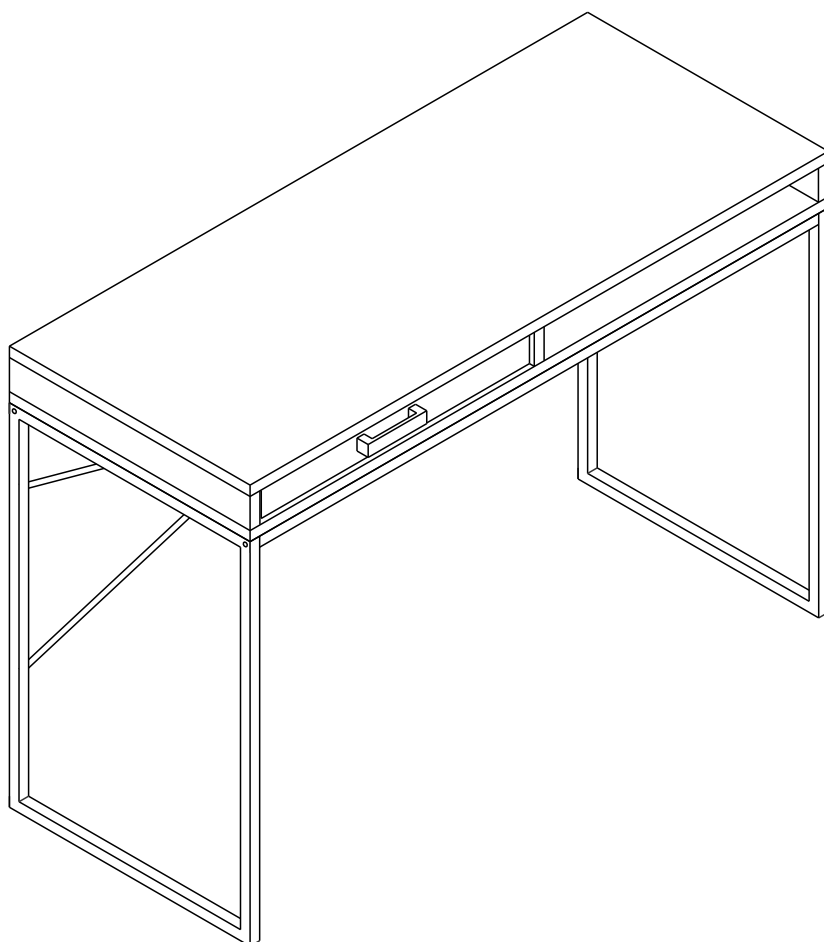
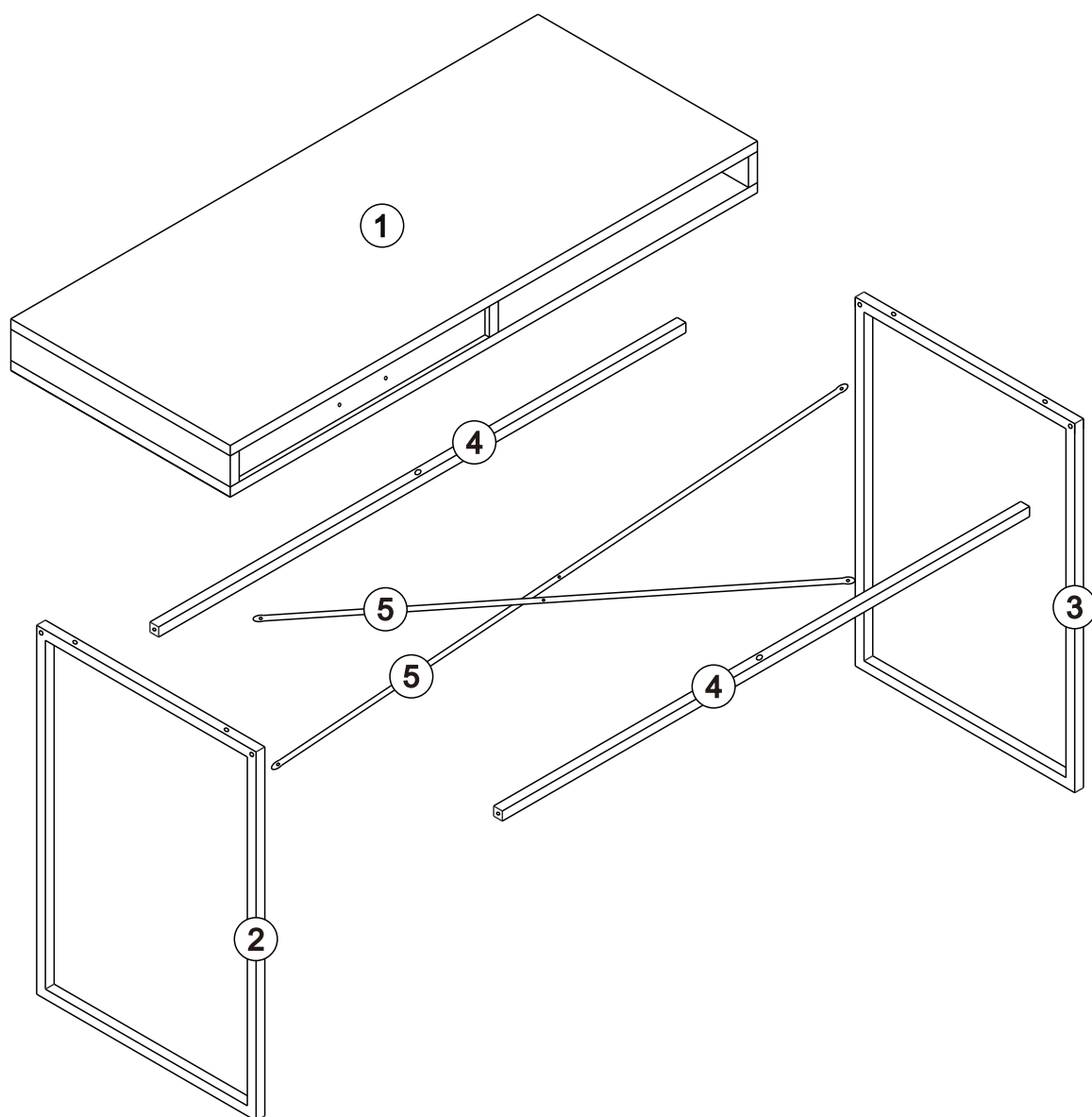
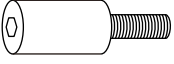

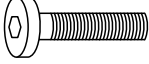
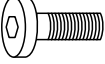
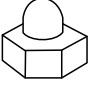
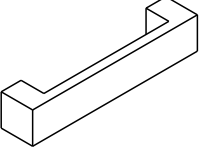

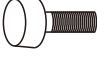







# SEAFORD





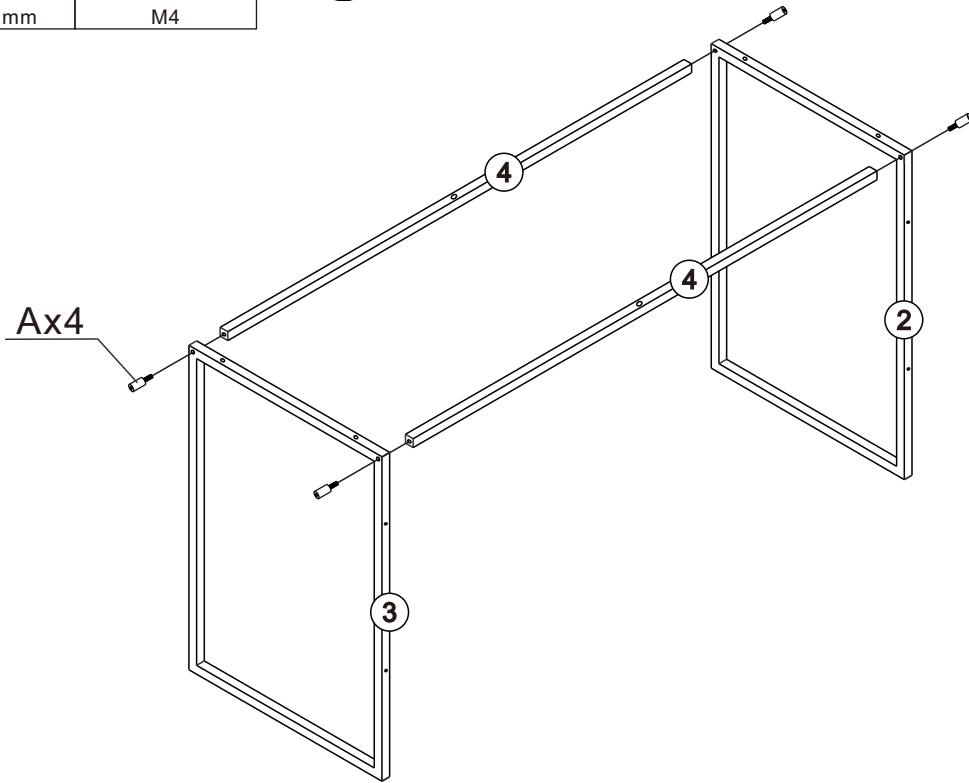
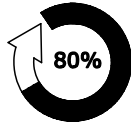
			✓
①	1	1100x450x90mm	
②	1	655x440x16mm	
③	1	655x440x16mm	
④	2	1058x16x16mm	
⑤	2	∅10x1135mm	




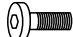



<p>A x 4</p>  <p>M6x15 mm</p>	<p>B x 6</p>  <p>M6x25 mm</p>	<p>C x 1</p>  <p>M6x18 mm</p>	<p>D x 4</p>  <p>M6x12 mm</p>	<p>E x 1</p> 
<p>F x 1</p>  <p>110x25x17 mm</p>	<p>G x 2</p>  <p>M4x18 mm</p>	<p>H x 4</p> 	<p>I x 1</p>  <p>M4</p>	<p>J x 1</p> 
<p>K x 2</p>  <p>M4x12 mm</p>	<p>L x 4</p>  <p>Ø10 mm</p>	<p>M x 2</p> 		

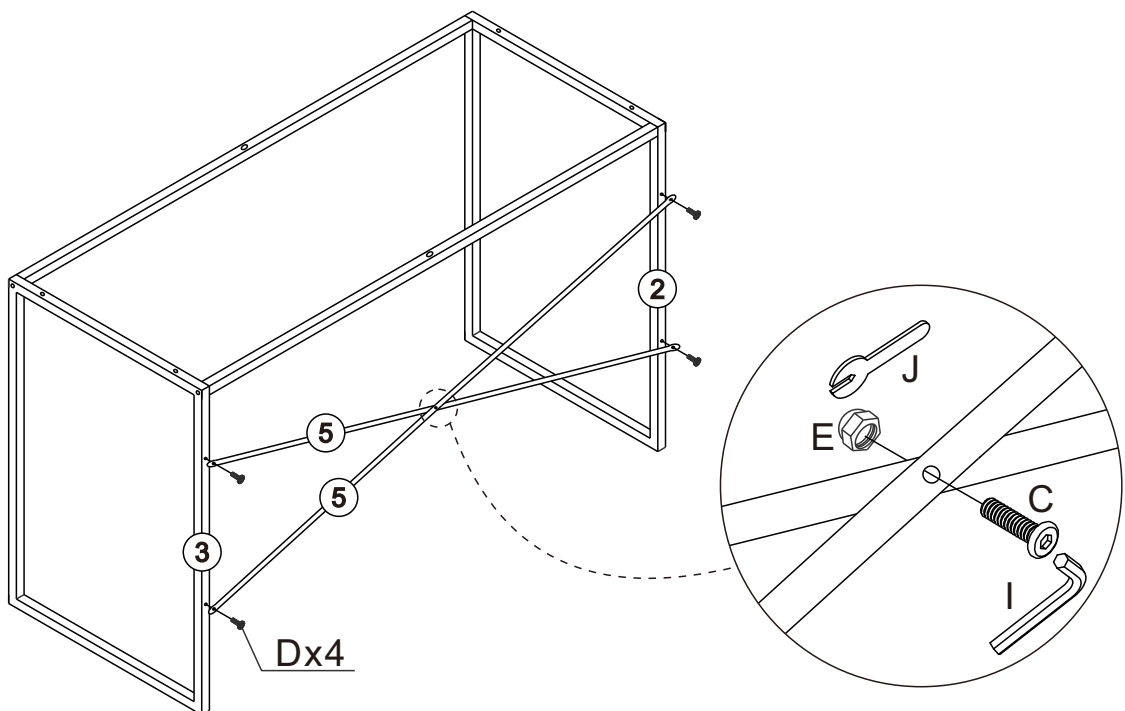
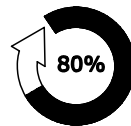
# 1

A x 4  M6x15 mm	I x 1  M4
--	--

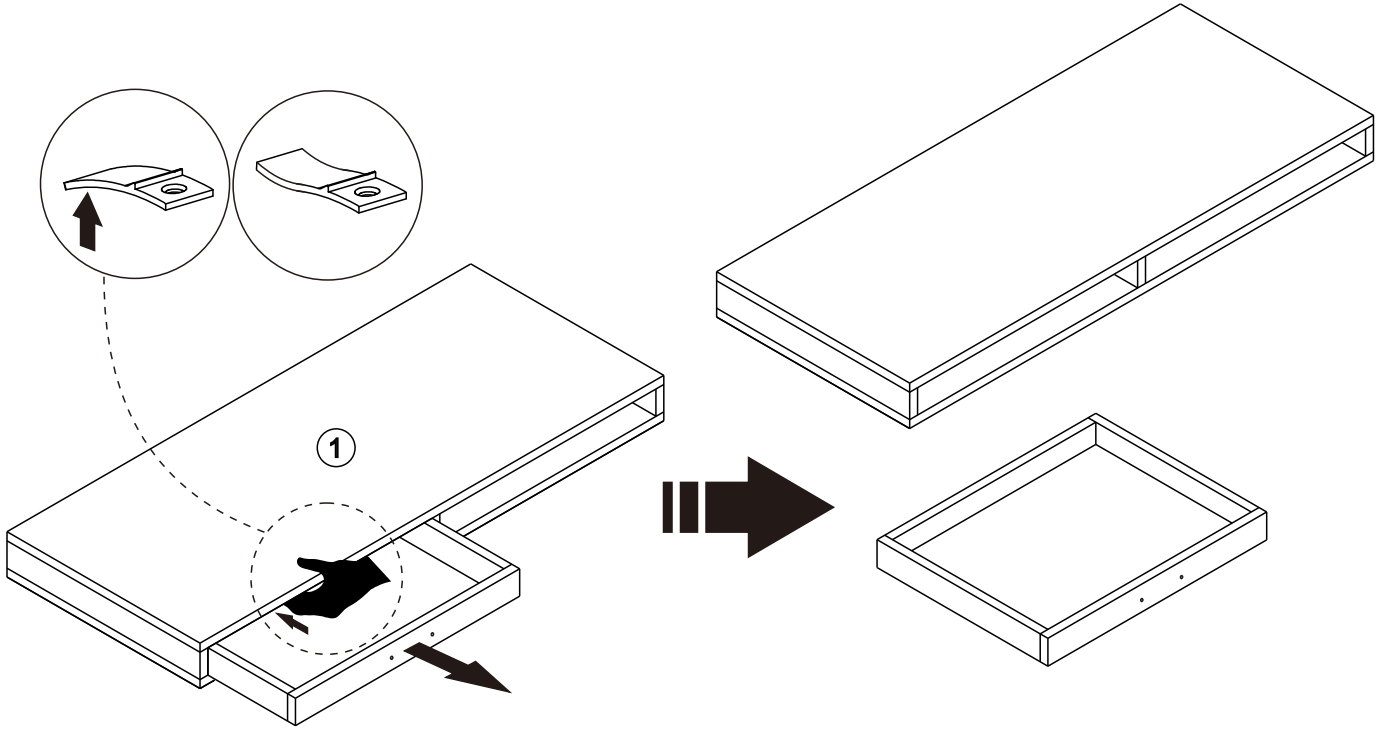


# 2

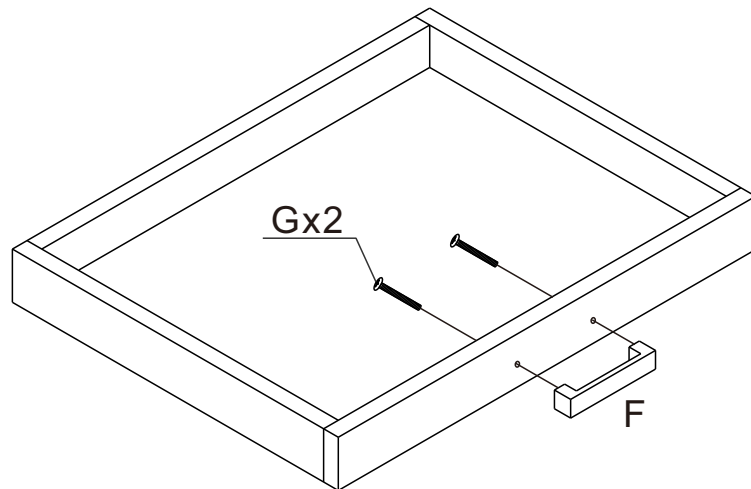
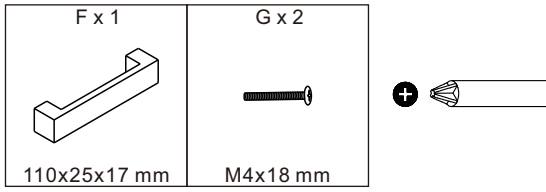
C x 1  M6x18 mm	D x 4  M6x12 mm	E x 1 	I x 1  M4	J x 1 
--	--	--	--	---






# 3

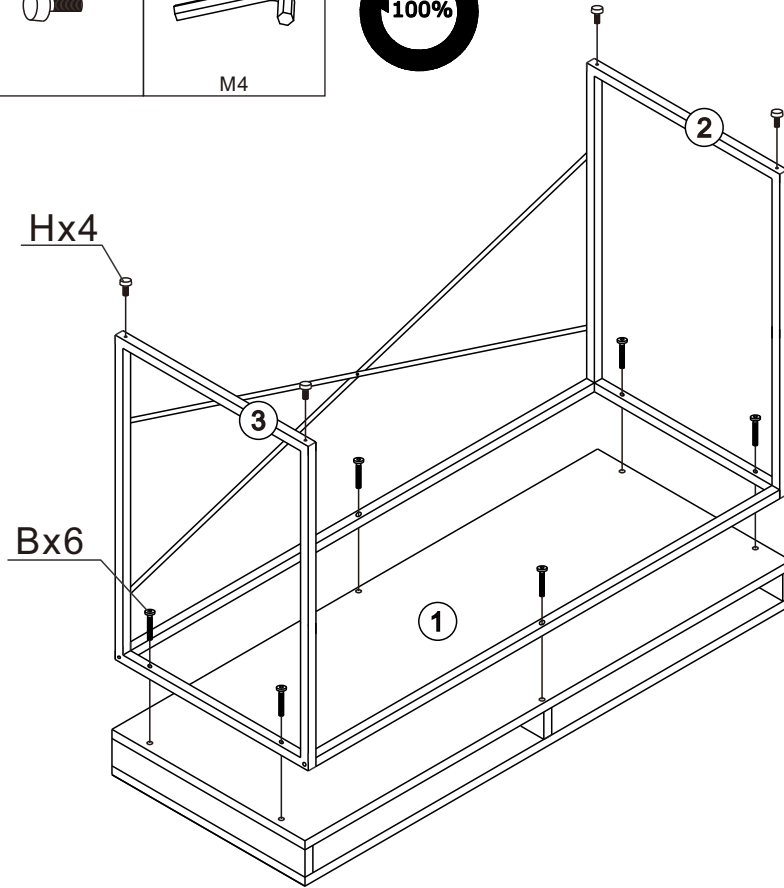


# 4






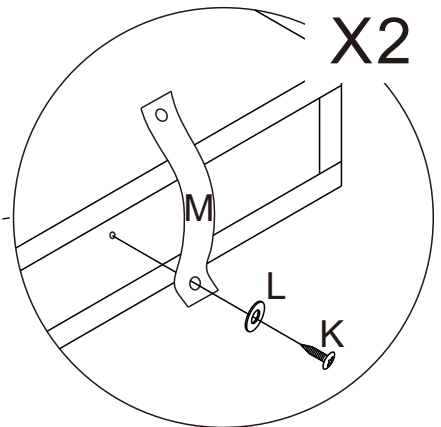
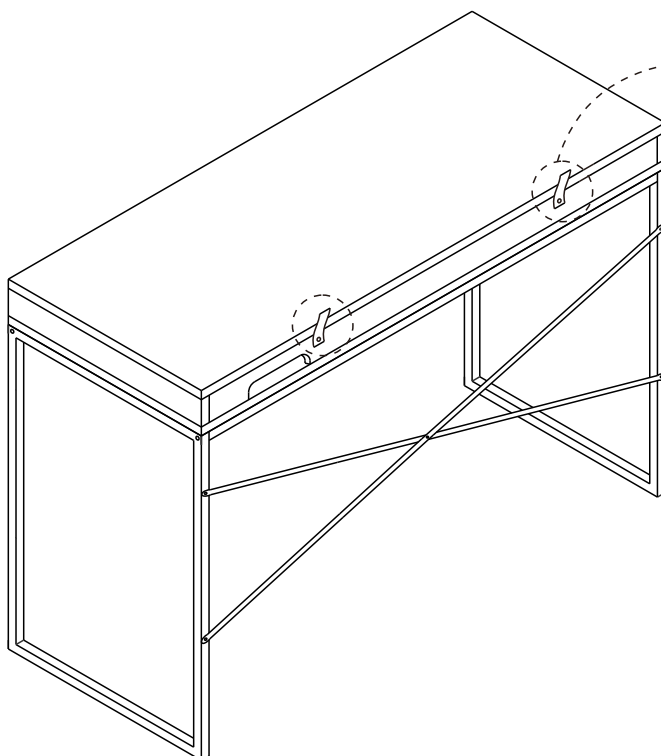
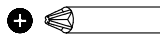
# 5

B x 6	H x 4	I x 1
		
M6x25 mm		M4



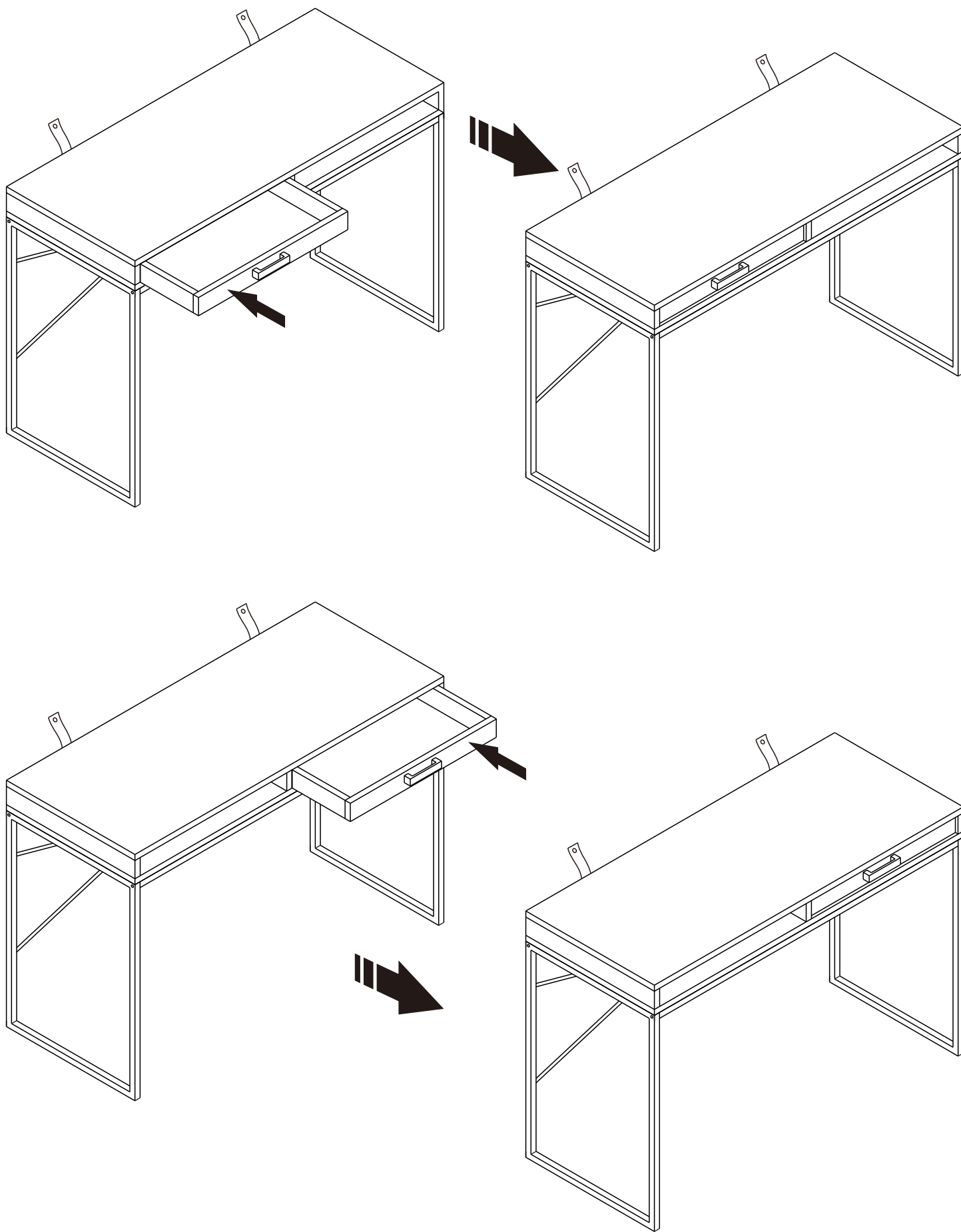
# 6

K x 2	L x 2	M x 2
		
M4x12 mm	Ø10 mm	



X2

7



8

