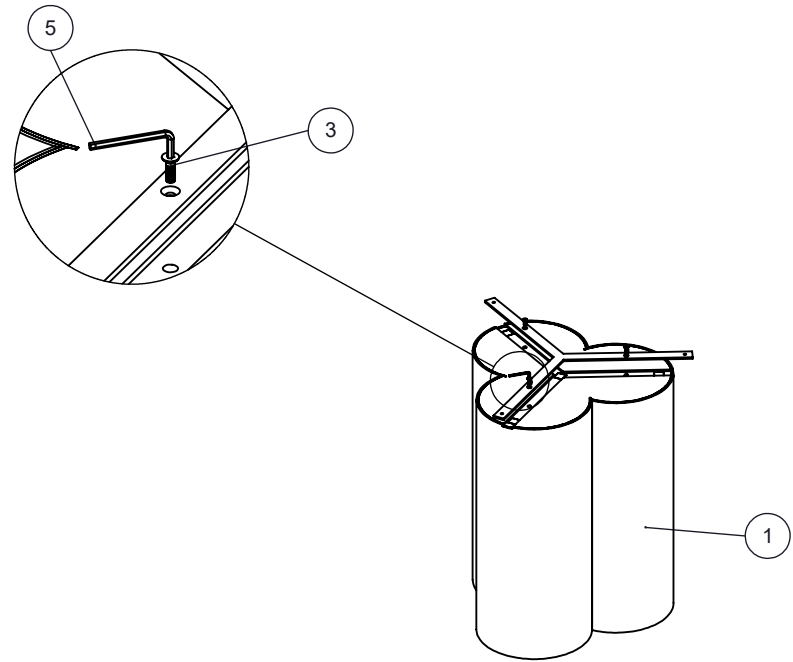
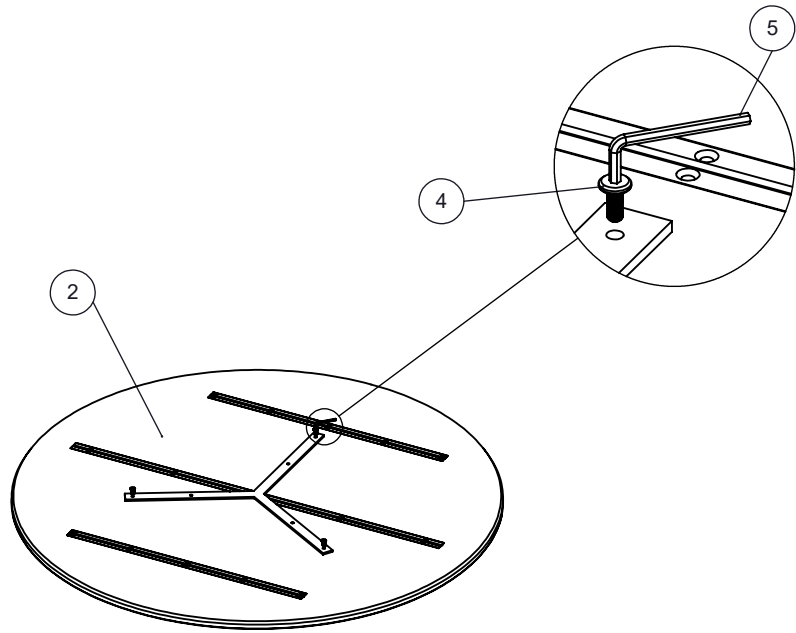


Step 1: Use hex-key(5) to loose the bolts M6(3) take out cross steel.

Step 2: Use hex-key(5) to tight bolts M6(4) for inserting cross steel and base leg.



1.

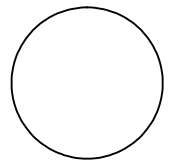
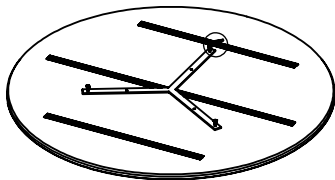
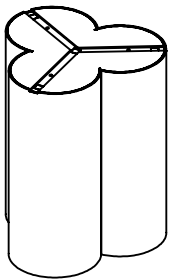
2.

3.

4.

5.

5.



M6X15

M6X15

Hk4

Felt Ø25

1x

1x

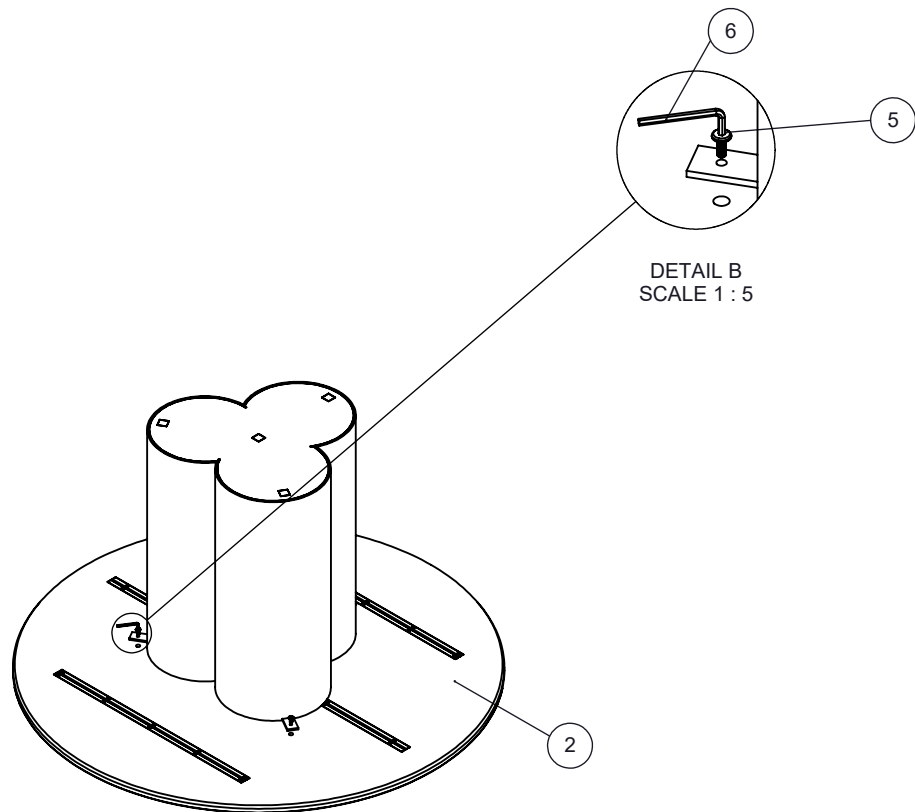
3x

3x

1x

6x

Step 3: Use hex-key(5) and bolts M6(3) for assembling table-top and base leg.



Step 4: turn the table over.

