







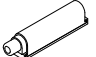





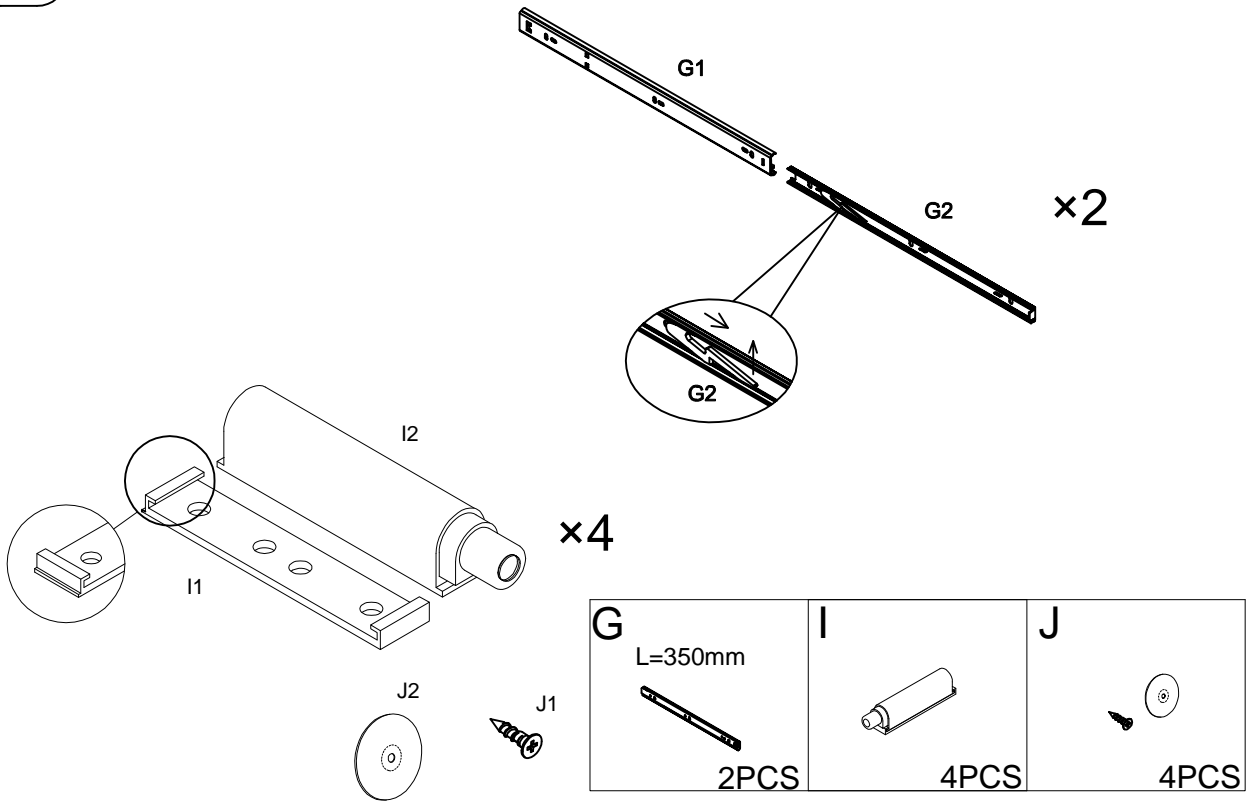
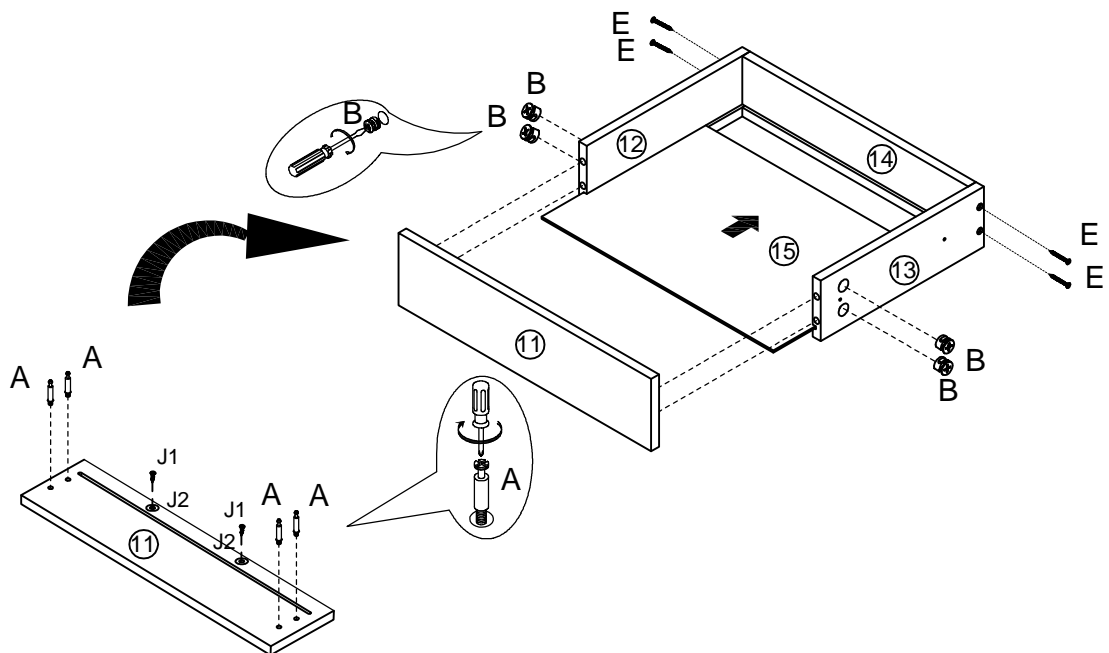


A 6.3×45mm  16PCS	B Ø15×12mm  16PCS	C Ø8×30mm  20PCS	D 7×38mm  8PCS	E 4×35mm  4PCS	F 3.5×14mm  40PCS
G L=350mm  2PCS	H  4PCS	I  4PCS	J  4PCS	K 4mm  1PC	L M6×30mm  6PCS
M M6×15mm  14PCS	N  1PC				

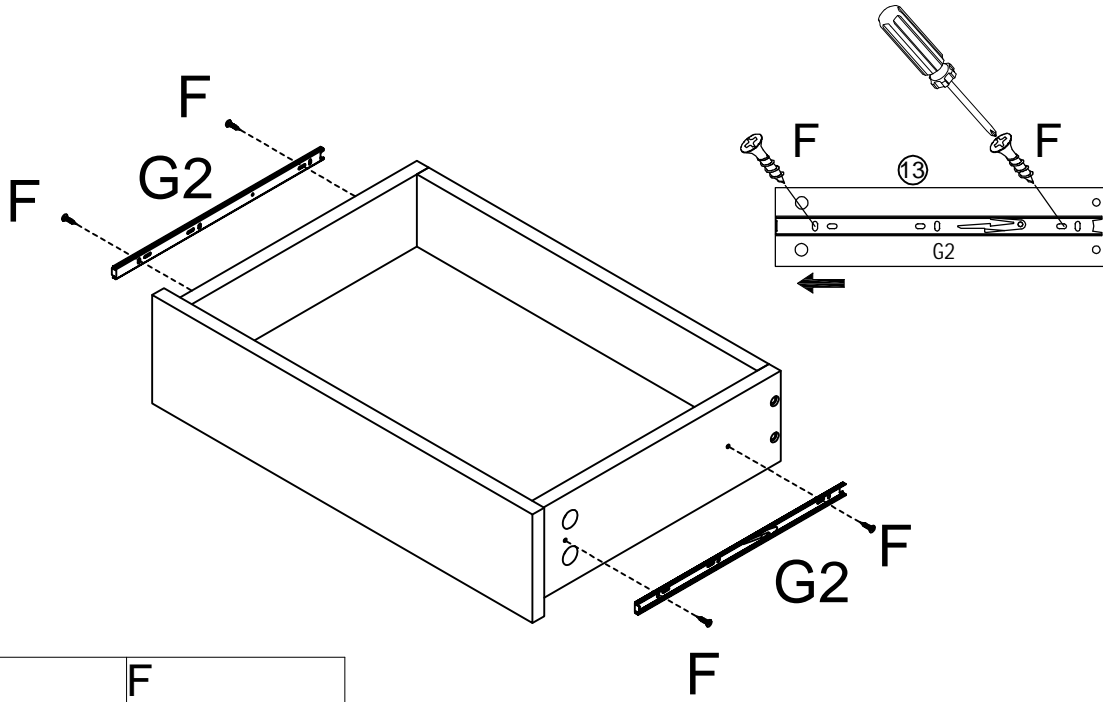
1





2

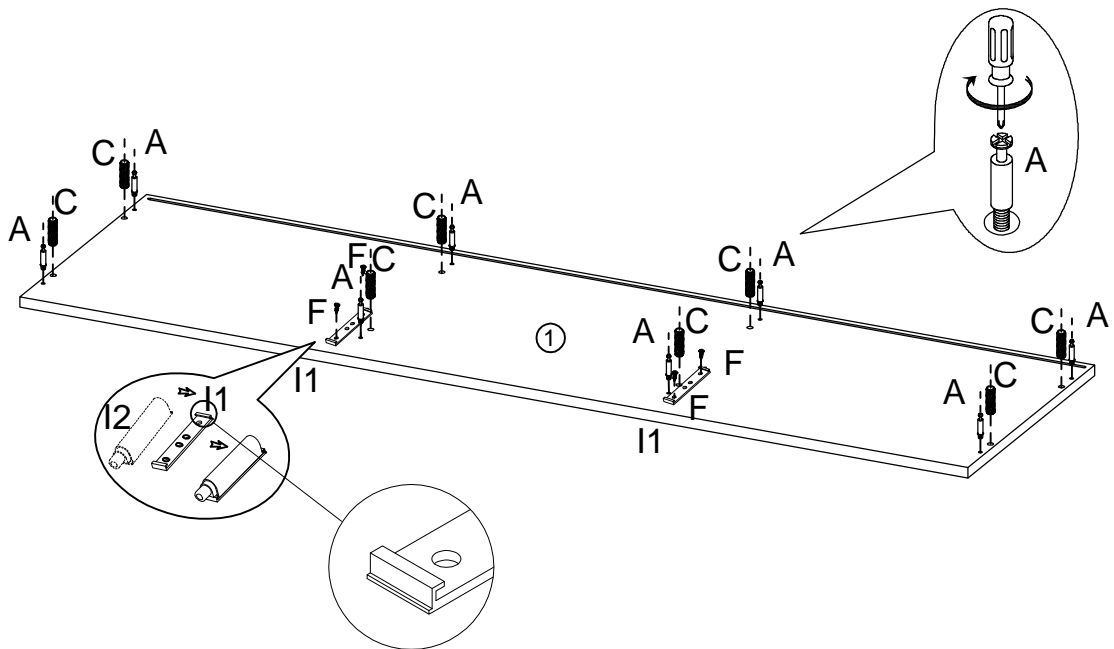



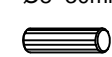


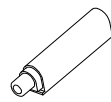
3



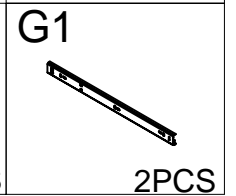
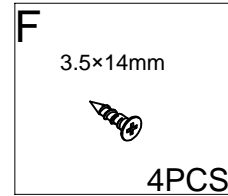
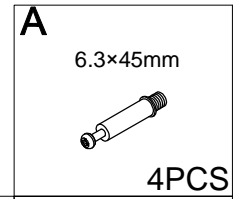
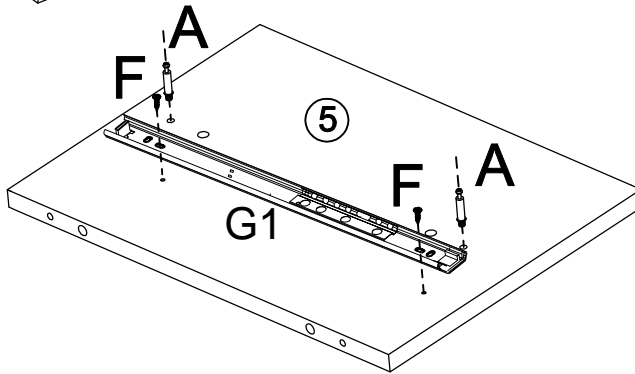
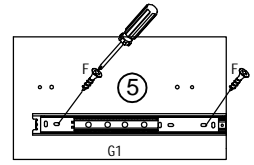
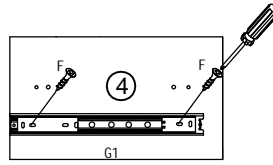
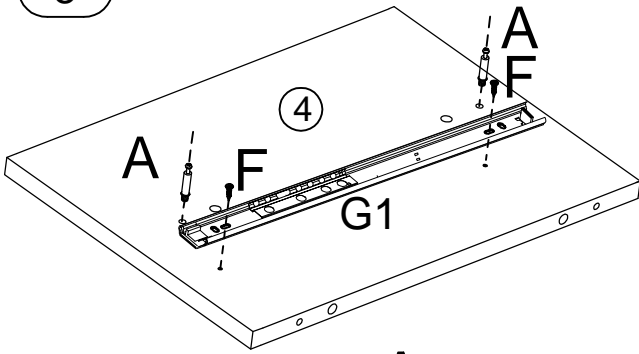
G2 L=350mm 	F 3.5×14mm 
2PCS	4PCS

4

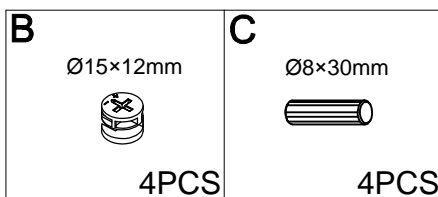
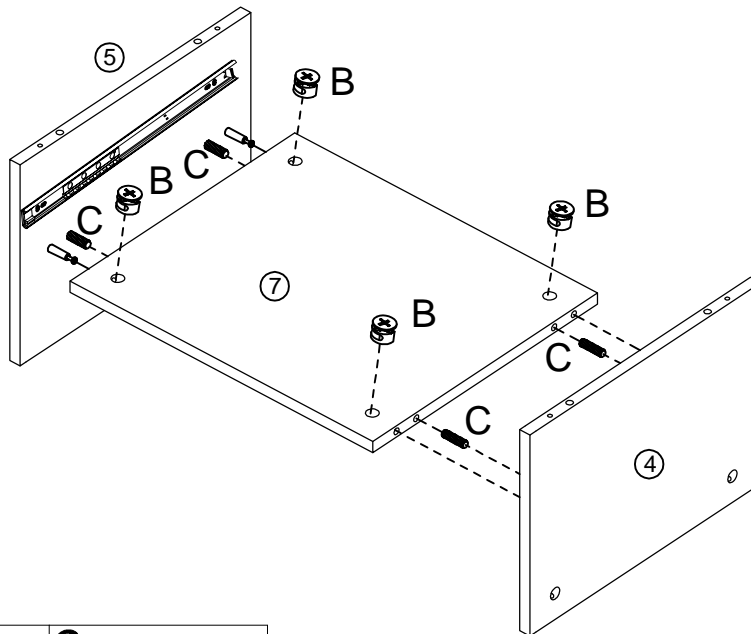


A 6.3×45mm 	C Ø8×30mm 	F 3.5×14mm 	I1 	I2 
8PCS	8PCS	4PCS	2PCS	2PCS

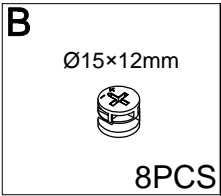
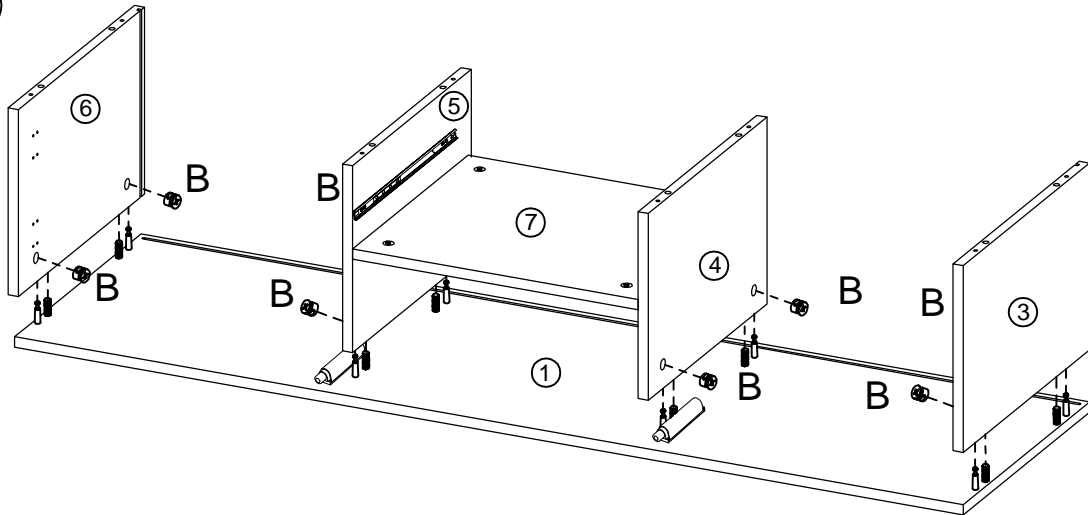
5



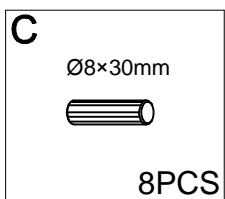
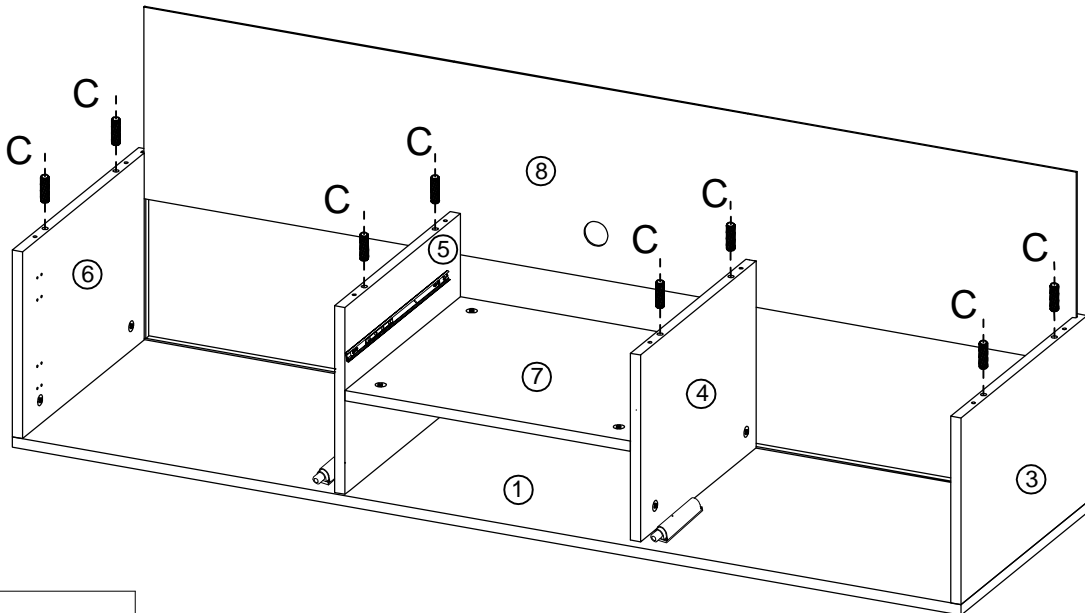
6



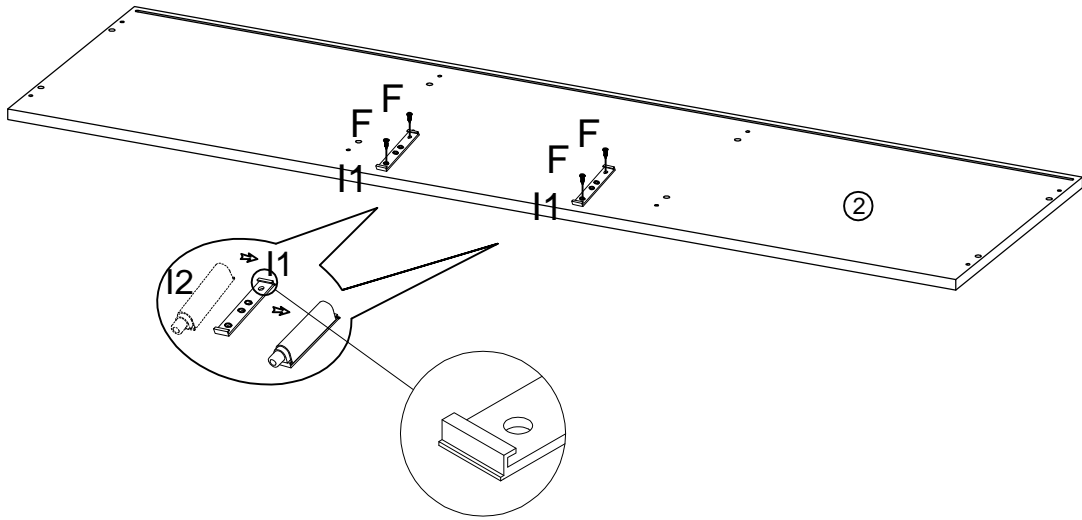
7


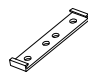
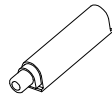


8

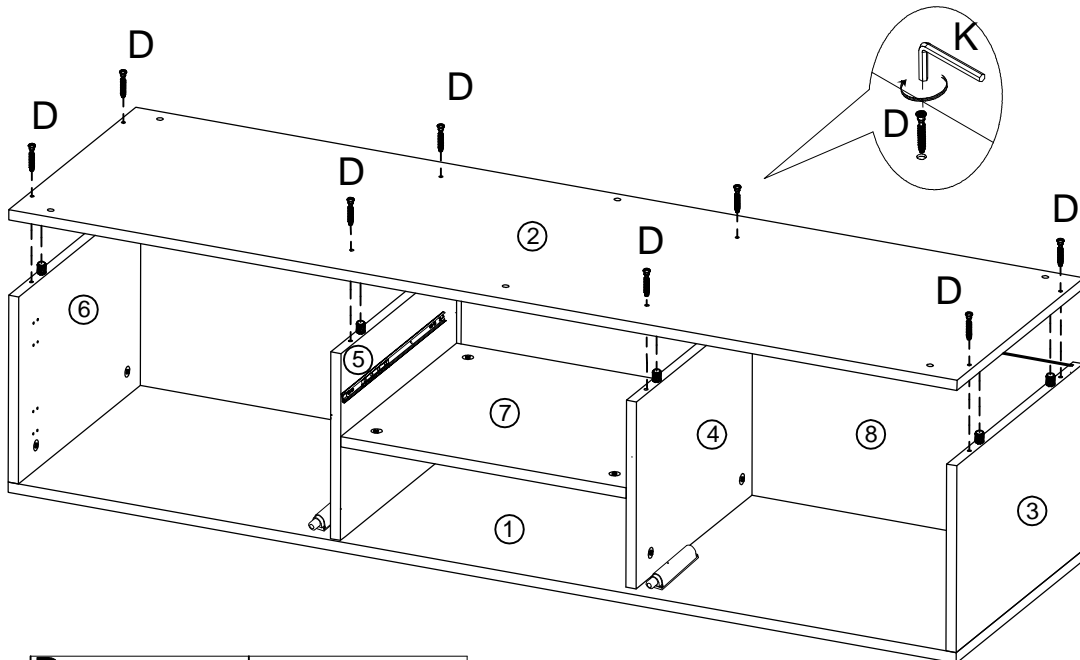




9



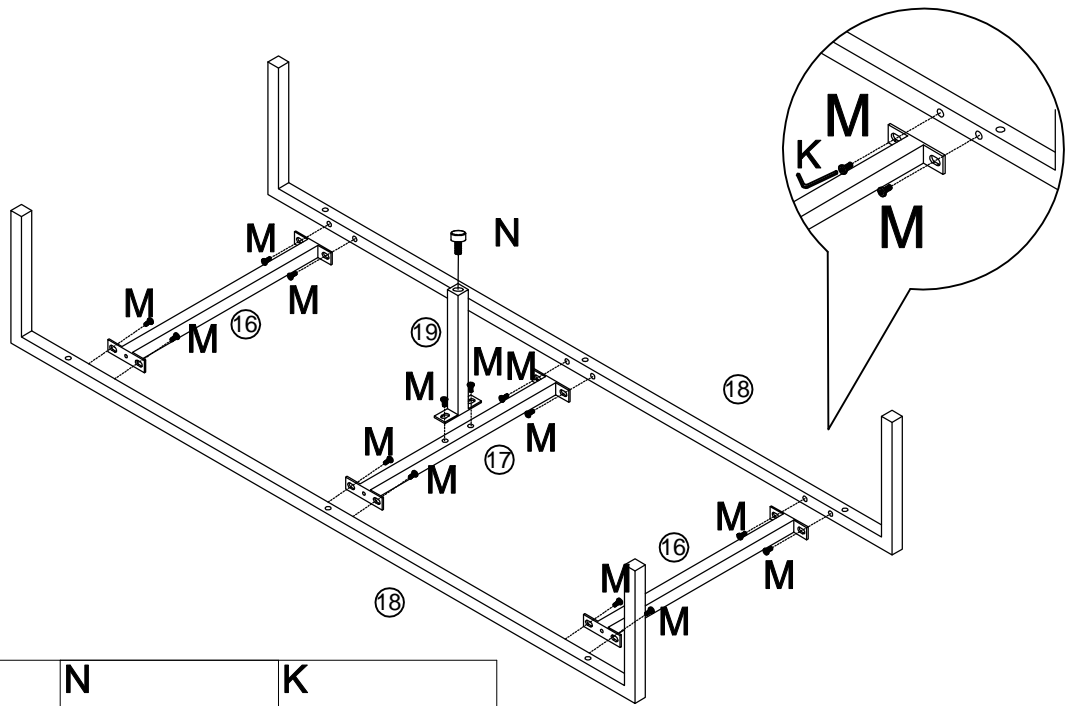
F M3.5×14mm  4PCS	I1  2PCS	I2  2PCS
--	--	--




10



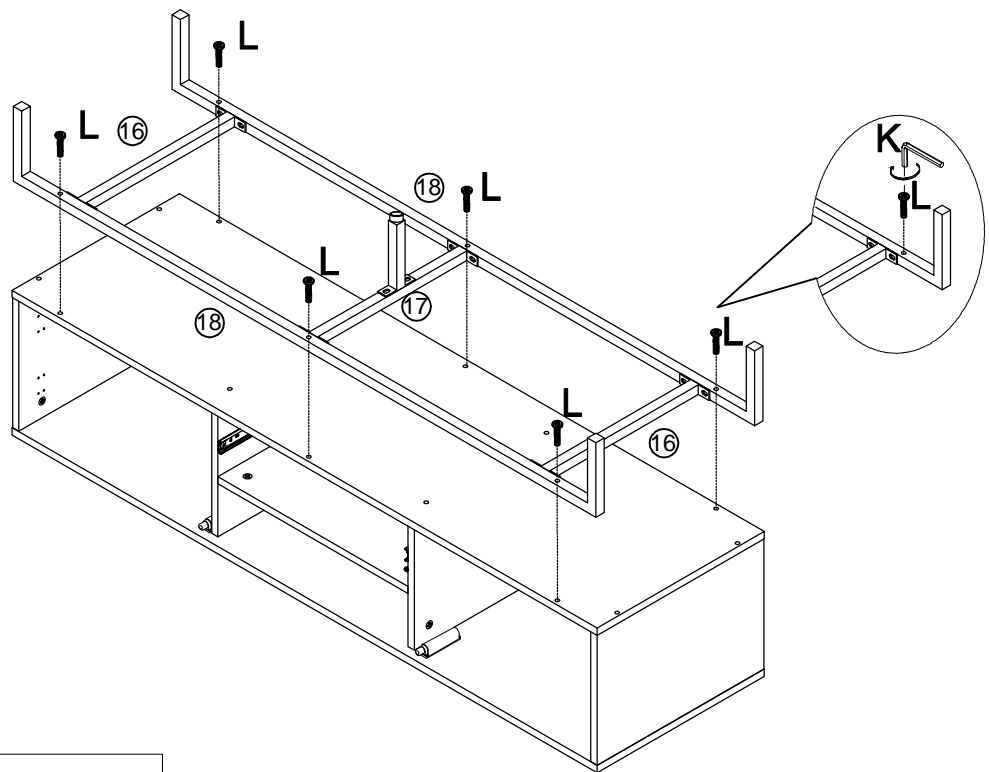
D 7×38mm  8PCS	K 4mm  1PC
---	---



11



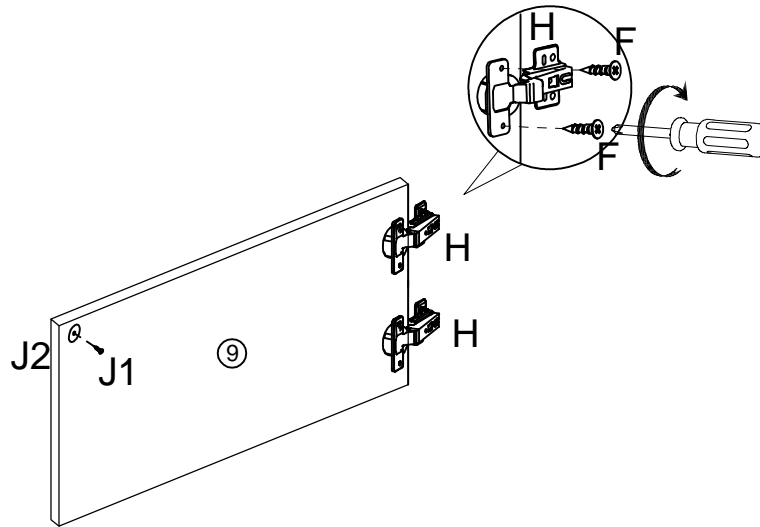
M M6×15mm  14PCS	N  1PC	K 4mm  1PC
---	--	---





12



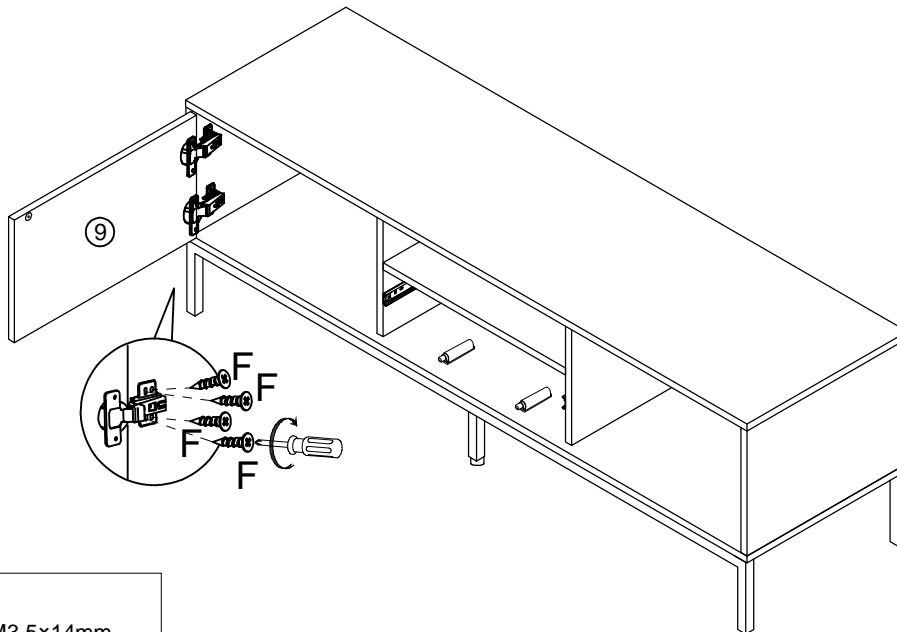
L M6×30mm  6PCS	K 4mm  1PC
--	---


13



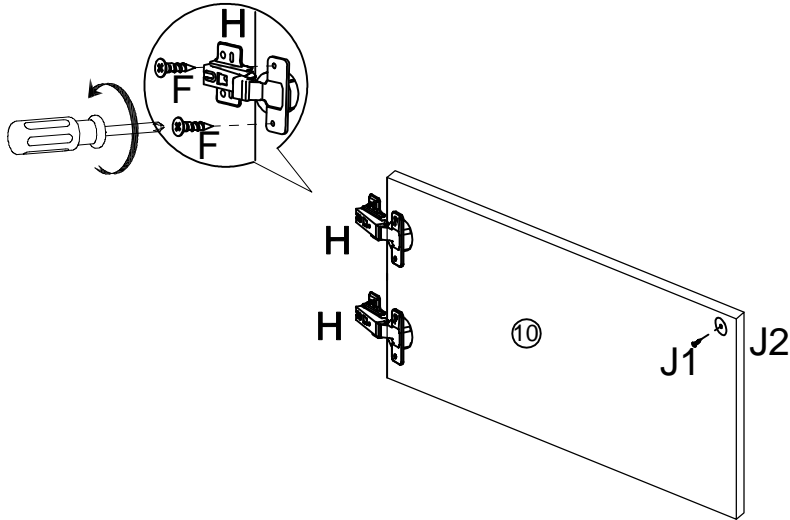
F M3.5×14mm  4PCS	H  2PCS	J1  1PC	J2  1PC
--	---	---	---





14



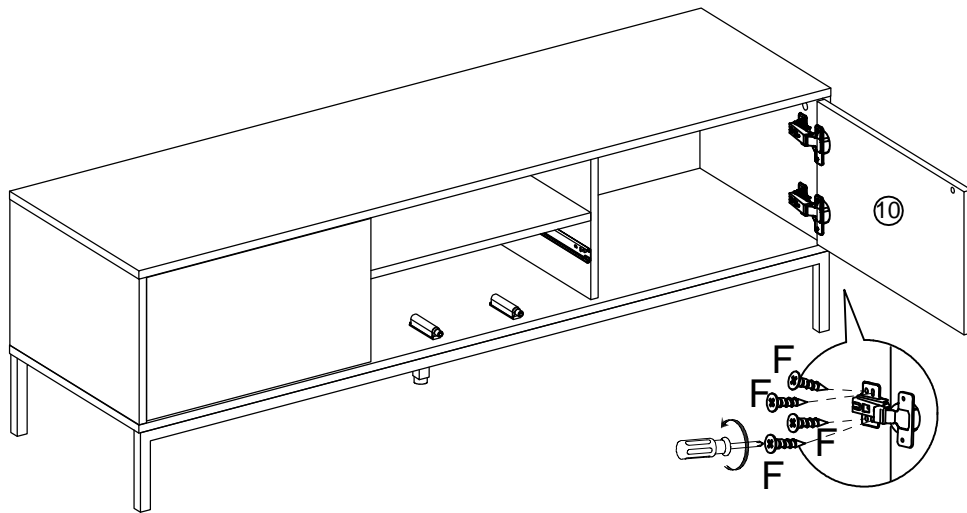
F M3.5×14mm  8PCS
--


15



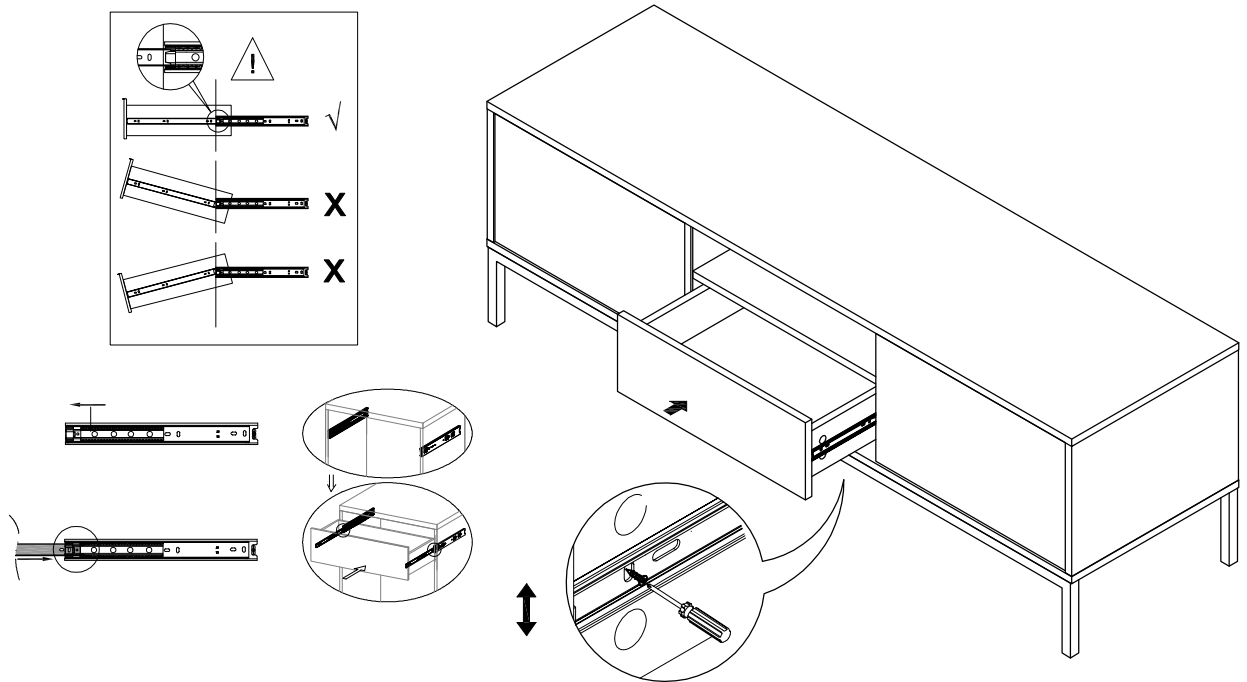
F M3.5×14mm  4PCS	H  2PCS	J1  1PC	J2  1PC
--	---	---	---

16

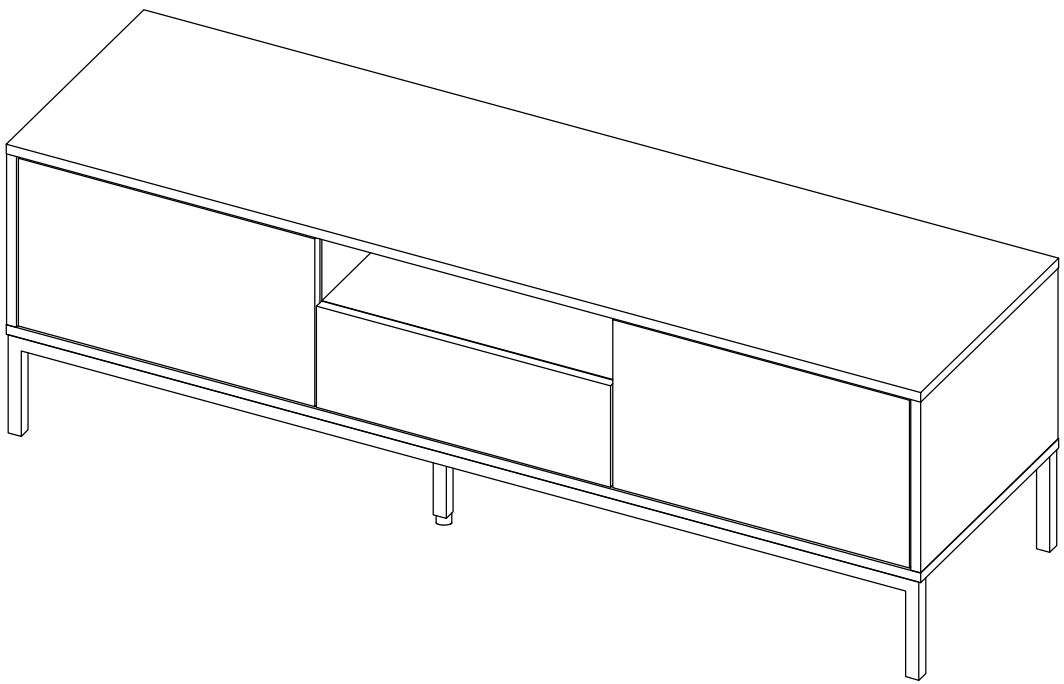


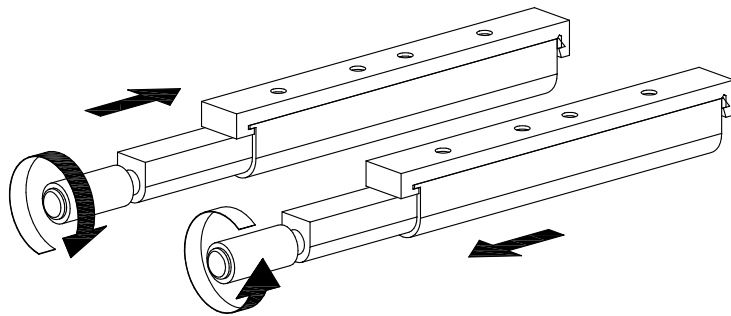
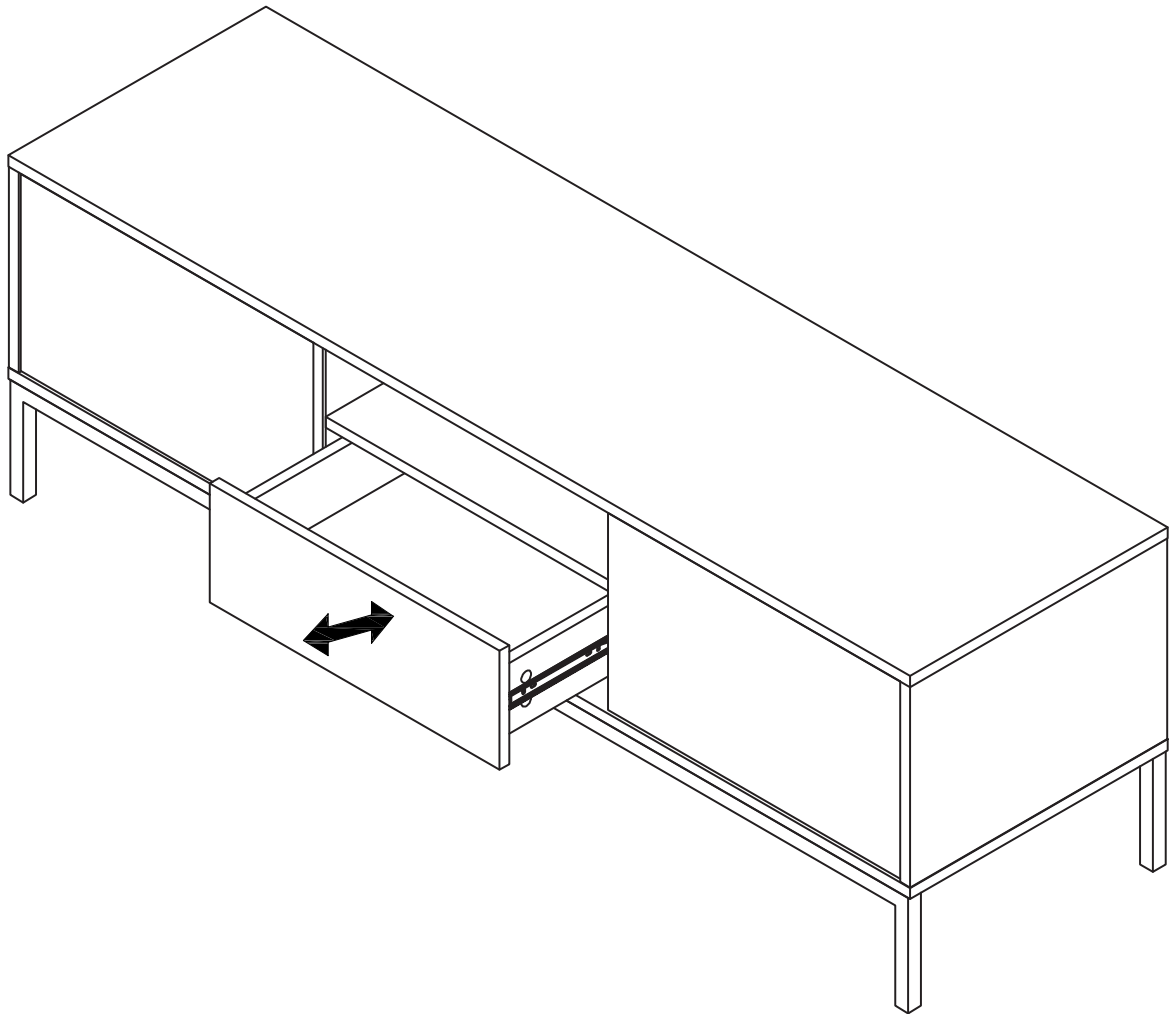
F M3.5×14mm  8PCS
--

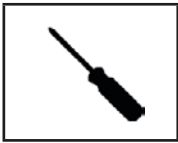
17



18

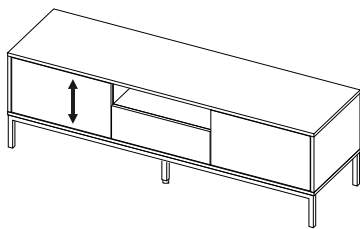
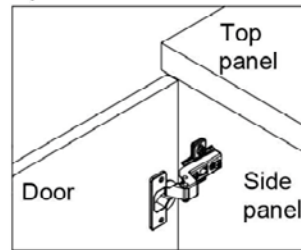




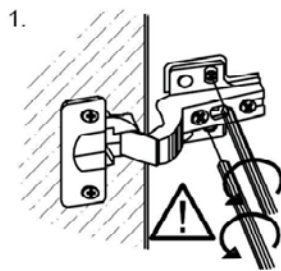


TO ADJUST YOUR DOORS TO MAKE THE GAPS MORE EVEN (OPTIONAL).

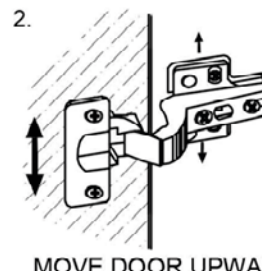
**STEP 14.1
Open the door.**



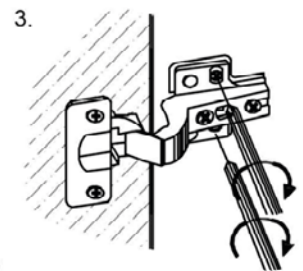
STEP 14.2
Adjust the door panels upward or downward



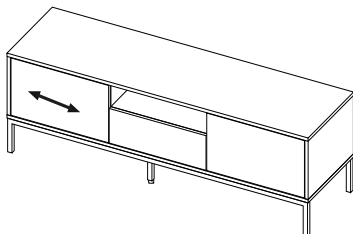
1. Unscrew 2 screws in round holes
Loosen 2 screws in oval holes a bit.



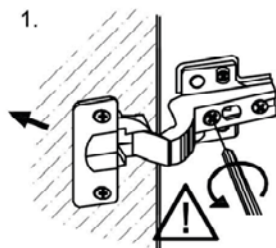
2. MOVE DOOR UPWARD OR DOWNWARD



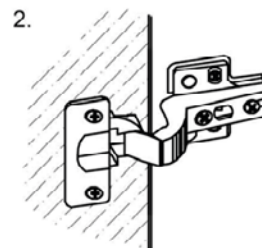
3. Tighten 2 screws in oval holes.
Screw in 2 screws in round holes



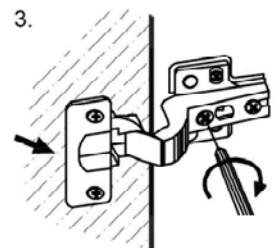
STEP 14.3
Adjust the flush between door panel and side panel



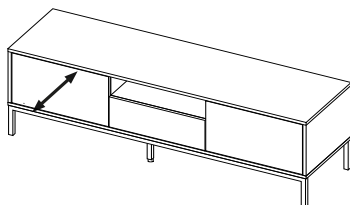
1. MOVE DOOR OUTWARD by turning this screw counter-clockwise



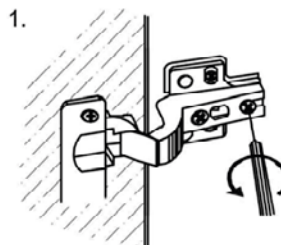
2. KEEP DOOR IN RIGHT POSITION



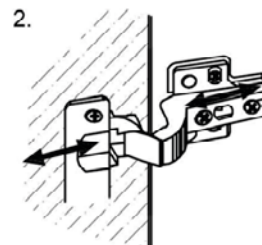
3. MOVE DOOR OUTWARD by turning this screw clockwise



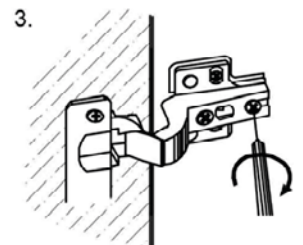
STEP 14.4
Adjust the gap between door panel and side panel



1. Loosen this screw a bit.



2. MOVE DOOR BACK OR FORTH



3. Re-tighten this screw.