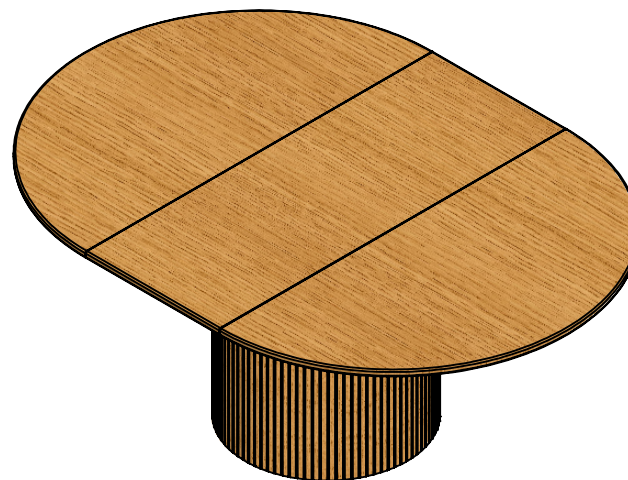
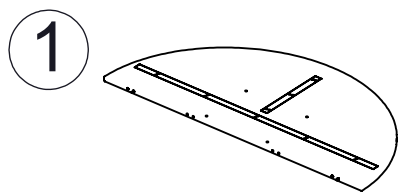


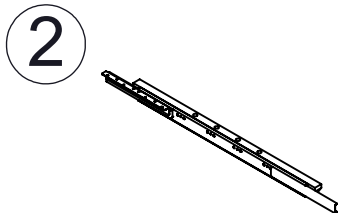
Normal



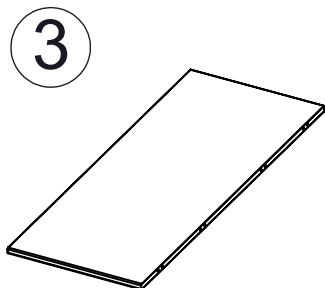
Extension



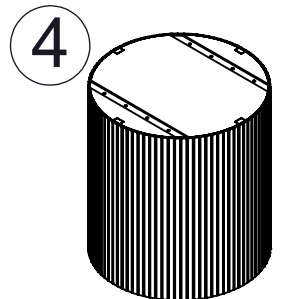
X2



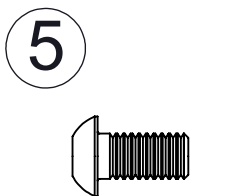
X2



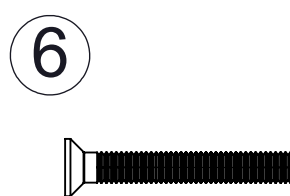
X1



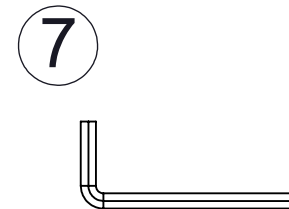
X1



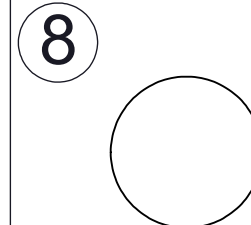
M6x12
X8



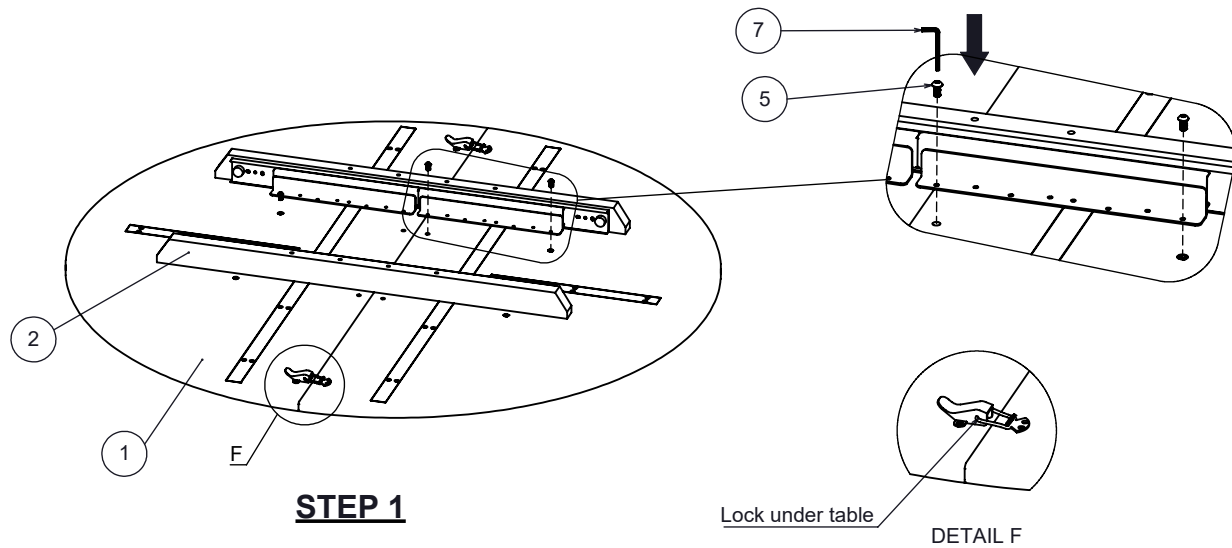
M6x70
X8



HK4
X1

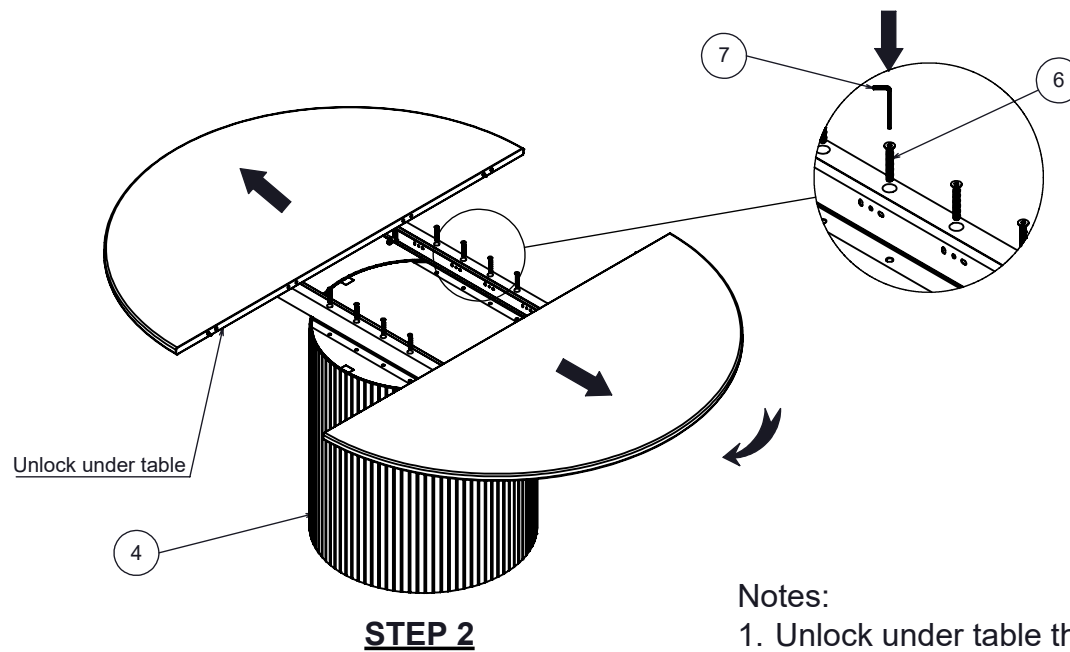


Felt
X6



Notes:

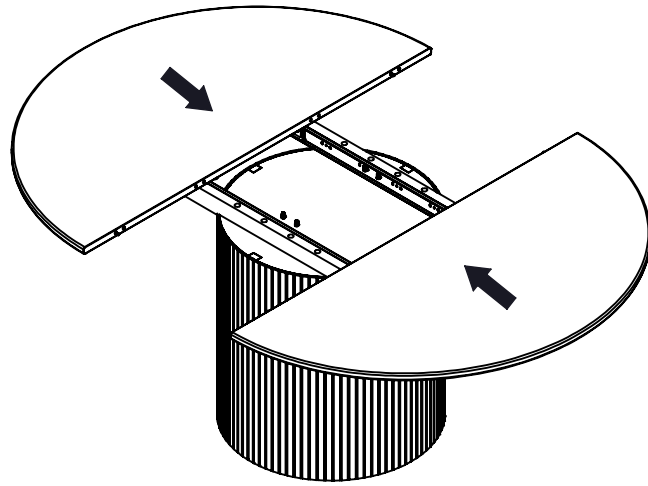
1. Turn over 2 half-moons of table then lock under table. Use soft and balance surface for assembling.
2. Use 8 screws (5) for connecting half-moons with rails.



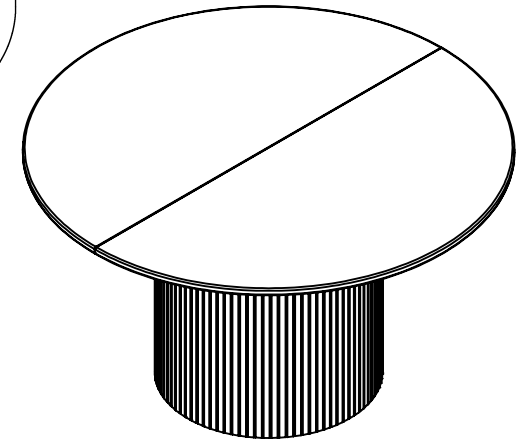
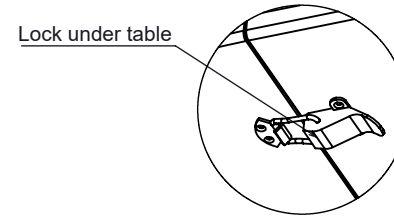
Notes:

1. Unlock under table the separate 2 half-moons.
2. Use 8 screws (6) for connecting base leg with rail wooden bars.

Normal

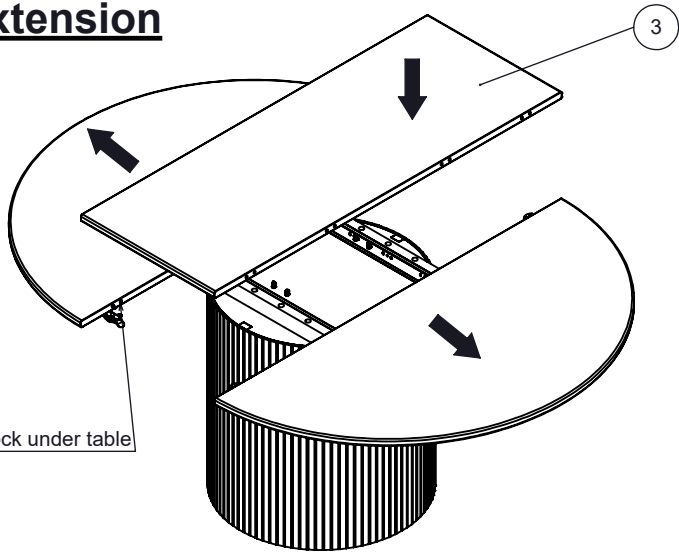


STEP 3

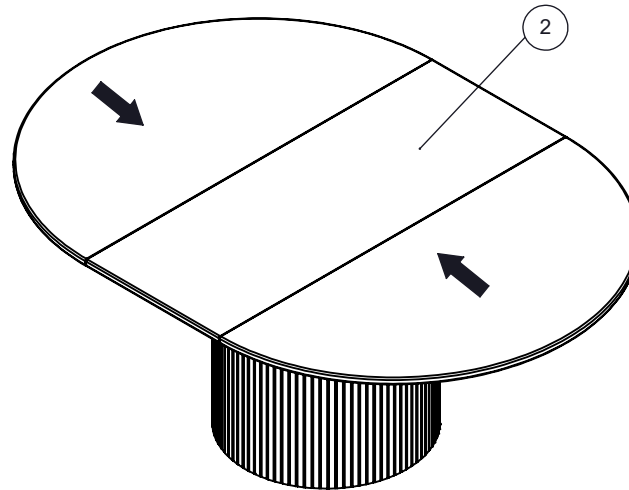


STEP 4

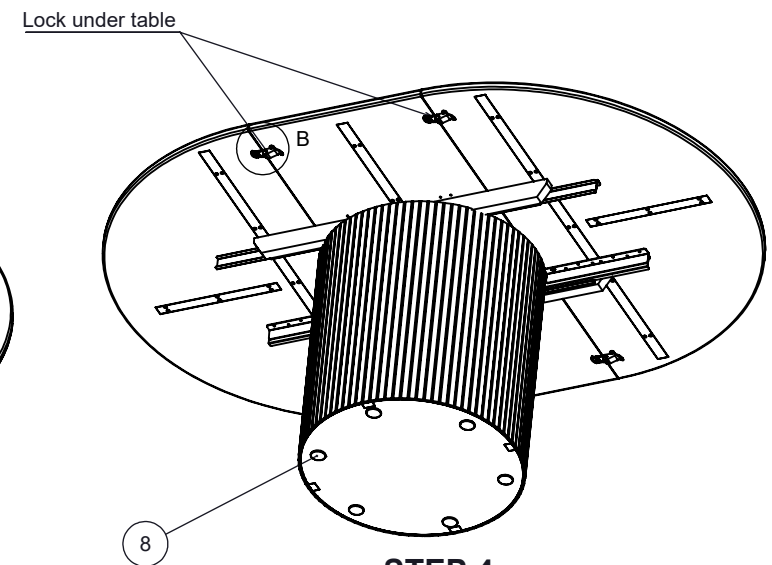
Extension



STEP 3



STEP 4



STEP 4